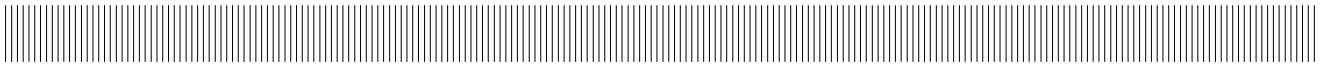
	EQUIPAGGIAMENTI TECNICI LAVAGGIO	25.0460.00 – 25.0480.00 SAND BLASTING HEAD TS12 – STRAIGHT NOZZLE SAND BLASTING HEAD TS12 – EXTENDED NOZZLE	23/08/17
			(GB) 4
		10.9124.00	



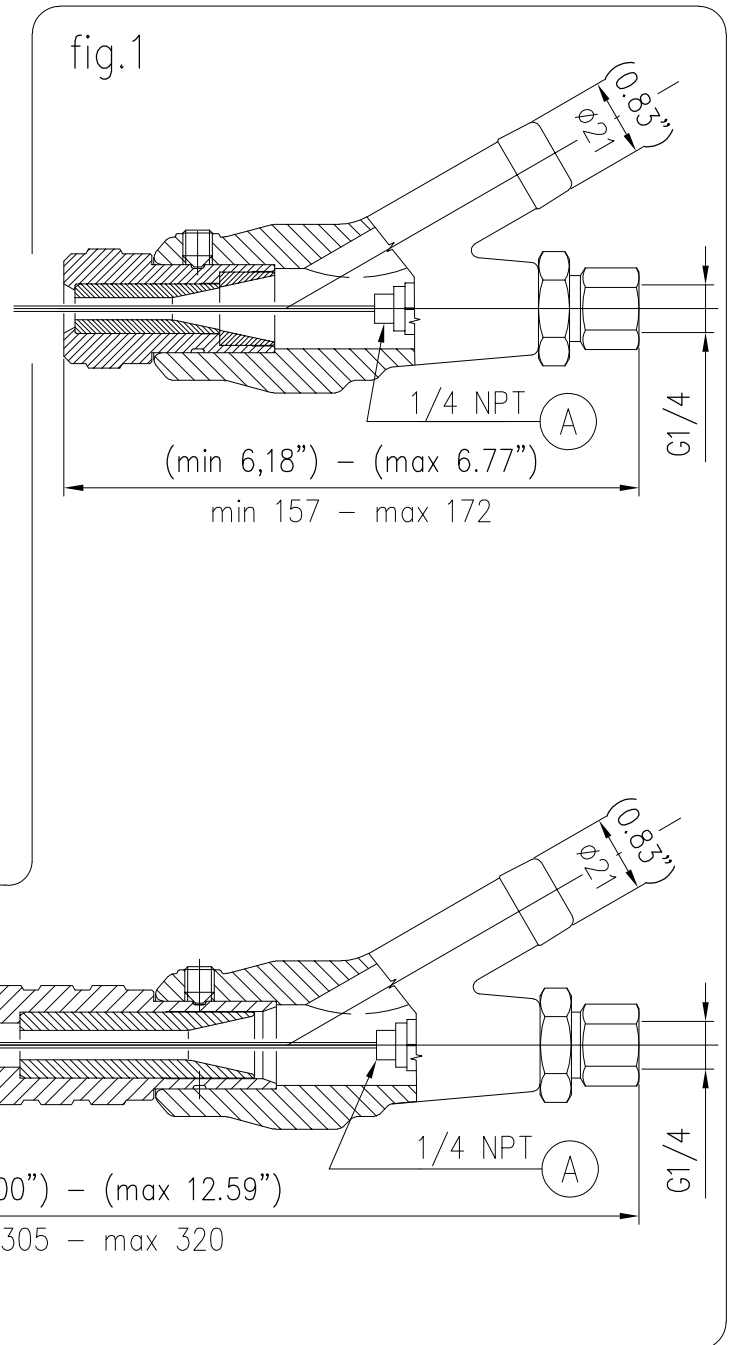
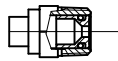
SETTING INSTRUCTIONS

IN ORDER TO GUARANTEE THE BEST PERFORMANCE AND AVOID EARLY WEAR AND DAMAGE OF PARTS, PLEASE MAKE SURE TO FOLLOW THESE INSTRUCTIONS:

–In case you wish to vary the quantity of sand sucked, set the position of the high pressure nozzle "A" according to the maximum and minimum distance as shown in fig.1.

–The jet angle of the high pressure nozzle "A" must be max. 0°.

–The use of "A" nozzles with and flow breaker is compulsory when the pressure is over 200 bar – 20 MPa (3000 PSI). In order for the sand blaster to perform at best, it is strongly recommended to use the special nozzles code: 16.1401.XX supplied by PA.



WARNING: Using a regular nozzle NOT suitable to operate at high pressure will produce premature wear and will cause damages on the internal section of the sand blaster.