



# INTERPUMPGROUP

# E2

I  
GB  
F

**ISTRUZIONI D'USO**  
**INSTRUCTIONS FOR USE**  
**MODE D'EMPLOI**

D  
E  
P

**BEDIENUNGSANLEITUNG**  
**INSTRUCCIONES DE USO**  
**INSTRUÇÕES DE USO**

Questo manuale deve essere letto e compreso in accordo al libretto generico "Istruzioni d'uso e manutenzione".  
 This manual must be read and followed in accordance with the generic "Instructions for Use and Maintenance" booklet.  
 Ce manuel doit être lu et compris en accord avec la notice générale "Mode d'emploi et d'entretien".  
 Dieses Handbuch ist in Verbindung mit dem allgemeinen Handbuch "Gebrauchs- und Wartungsanleitung" zu lesen und zu verstehen.  
 Este manual debe leerse y comprenderse de acuerdo con el manual general "Instrucciones de uso y mantenimiento"  
 Este manual deve ser lido e interpretado de acordo com o livro genérico "Instruções de uso e manutenção"




# 58

# S E R I E S

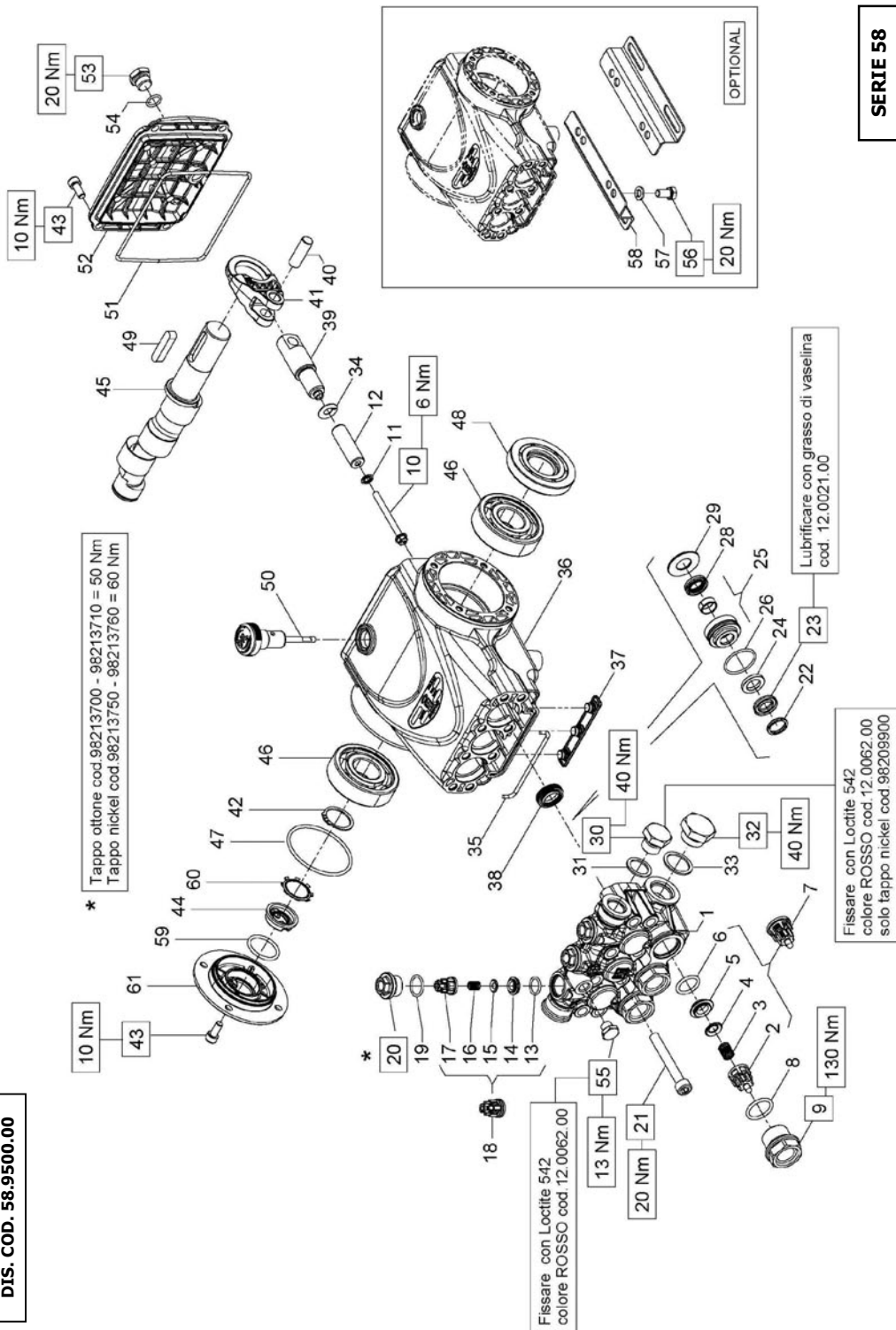
Modello Model Modèle Modell Modelo	Portata Flow rate Débit Förderstrom Caudal Flujo		Pressione Pressure Pression Druck Presión Pressão			g/m rpm t/m upm r/m r/m	Potenza Power Puissance Leistung Potencia Poder		Peso Weight Poids Gewicht Peso Peso		
	L/min	gpm	bar	MPa	psi		Hp	kW	Kg	Ibs	
E2B2008	7.5	1.98	200	20.0	2900	1450	3.90	2.87	7.0	15.4	0.45
E2B2808	7.5	1.98	275	27.5	4000	1450	5.40	3.97	7.0	15.4	0.45
E2B2010	10	2.64	200	20.0	2900	1450	5.20	3.82	7.0	15.4	0.45
E2B1711	11	2.90	170	17.0	2465	1450	4.90	3.60	7.0	15.4	0.45
E2B1712	12	3.17	170	17.0	2465	1450	5.30	3.90	7.0	15.4	0.45
E2B1713	13	3.43	170	17.0	2465	1450	5.70	4.19	7.0	15.4	0.45
E2B2014	14	3.69	200	20.0	2900	1450	7.30	5.37	7.0	15.4	0.45
E2B2015	15	3.96	200	20.0	2900	1450	7.40	5.44	7.0	15.4	0.45
E2B1618	18	4.76	160	16.0	2320	1450	7.48	5.50	7.0	15.4	0.45
E2C2109	9	2.38	210	21.0	3045	1750	4.90	3.60	7.0	15.4	0.45
E2C2809	9	2.38	275	27.5	4000	1750	6.40	4.71	7.0	15.4	0.45
E2C2111	11	2.90	210	21.0	3045	1750	6.00	4.41	7.0	15.4	0.45
E2C2112	12	3.17	210	21.0	3045	1750	6.50	4.78	7.0	15.4	0.45
E2C1713	13	3.43	170	17.0	2465	1750	5.70	4.19	7.0	15.4	0.45
E2C1714	14	3.69	170	17.0	2465	1750	6.20	4.56	7.0	15.4	0.45
E2C1715	15	3.96	170	17.0	2465	1750	6.60	4.85	7.0	15.4	0.45
E2C2016	16	4.22	200	20.0	2900	1750	8.30	6.10	7.0	15.4	0.45



**58****S  
E  
R  
I  
E  
S**

Modello Model Modèle Modell Modelo Modelo	Portata Flow rate Débit Förderstrom Caudal Flujo		Pressione Pressure Pression Druck Presión Pressão			g/m rpm t/m upm r/m r/m	Potenza Power Puissance Leistung Potencia Poder		Peso Weight Poids Gewicht Peso Peso		
	L/min	gpm	bar	MPa	psi		Hp	kW	Kg	Ibs	
E2D2010	9.5	2.50	200	20.0	2900	2800	4.90	3.60	7.0	15.4	0.45
E2D2810	10	2.64	275	27.5	4000	2800	7.10	5.22	7.0	15.4	0.45
E2D2011	11	2.90	200	20.0	2900	2800	5.70	4.19	7.0	15.4	0.45
E2D2811	11	2.90	275	27.5	4000	2800	7.90	5.81	7.0	15.4	0.45
E2D2812	12	3.17	275	27.5	4000	2800	8.60	6.32	7.0	15.4	0.45
E2D2013	13	3.43	200	20.0	2900	2800	6.80	5.00	7.0	15.4	0.45
E2D2813	13	3.43	275	27.5	4000	2800	9.30	6.84	7.0	15.4	0.45
E2D2015	15	3.96	200	20.0	2900	2800	7.80	5.74	7.0	15.4	0.45
E2D2016	16	4.22	200	20.0	2900	2800	8.30	6.10	7.0	15.4	0.45
E2E2108	8	2.11	210	21.0	3045	3400	4.40	3.24	7.0	15.4	0.45
E2E2808	8	2.11	275	27.5	4000	3400	5.70	4.19	7.0	15.4	0.45
E2E2810	10	2.64	275	27.5	4000	3400	7.10	5.22	7.0	15.4	0.45
E2E2111	11	2.90	210	21.0	3045	3400	6.00	4.41	7.0	15.4	0.45
E2E2811	11	2.90	275	27.5	4000	3400	7.90	5.81	7.0	15.4	0.45
E2E2812	12	3.17	275	27.5	4000	3400	8.60	6.32	7.0	15.4	0.45
E2E2113	13	3.43	210	21.0	3045	3400	7.10	5.22	7.0	15.4	0.45
E2E2813	13	3.43	275	27.5	4000	3400	9.30	6.84	7.0	15.4	0.45
E2E2114	14	3.69	210	21.0	3045	3400	7.60	5.59	7.0	15.4	0.45
E2E2815	15	3.96	275	27.5	4000	3400	10.70	7.87	7.0	15.4	0.45
E2E2116	16	4.22	210	21.0	3045	3400	8.70	6.40	7.0	15.4	0.45





**KIT RICAMBI – SPARE KITS**

KIT NR.	KIT 269	KIT 270	KIT 271	PISTON - PISTONE D. 13			PISTON - PISTONE D. 15		
				KIT 272	KIT 275	KIT 273	KIT 272	KIT 275	KIT 273
Posizioni incluse	2 - 3 - 4	8 - 9		22 - 23	22 - 23	22 - 23	22 - 23	22 - 23	22 - 23
Positions included	5 - 6 - 13	19 - 20	38	24 - 26	24 - 25	24 - 26	24 - 25	24 - 25	24 - 25
	17 - (7) - (18)			28	26 - 28	28	26 - 28	26 - 28	26 - 28
Nr. Pcs.	3 + 3	3 + 3	3	3	1	3	1	3	1

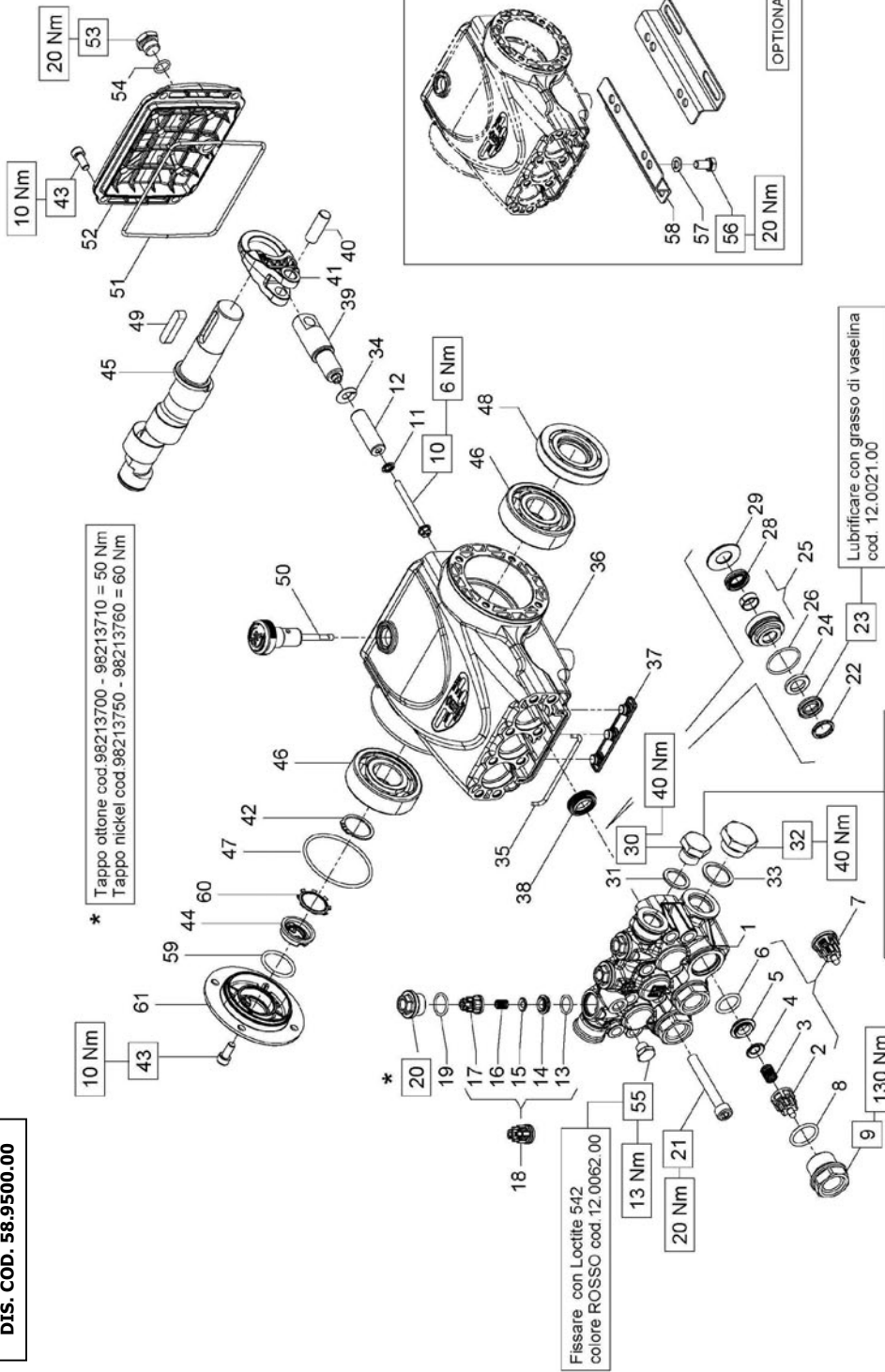
E2B2808 - E2B2808 - E2B2010 - E2C109 E2C2809 - E2C2111 - E2C2112 - E2D2010 E2D2810 - E2D2011 - E2D2811 - E2D2812 E2D2013 - E2D2813 - E2D2015 - E2D2016 E2E2108 - E2E2810 - E2E2811 - E2E2111 E2E2812 - E2E2113 - E2E2813 - E2E2815 E2E2116		PISTON - PISTONE D. 15	
E2B2808 - E2C2809 - E2D2810 E2D2811 - E2C2112 - E2D2010 E2D2011 - E2D2013 - E2D2015 E2D2016 - E2E2108 - E2E2116 E2E2113 - E2E2111	E2B2008 - E2B2010 - E2C2109 E2C2111 - E2C2112 - E2D2010 E2D2011 - E2D2013 - E2D2015 E2D2016 - E2E2108 - E2E2116 E2E2113 - E2E2111		

POS	COD.	DESCRIZIONE – DESCRIPTION - KIT	NR
41	58.0300.22	Biella	3
42	90.0635.00	Anello d'arresto D. 25	1
43	99.1837.00	Vite M6x14 UNI 5931	8
44	53.2108.51	Vetrino spia livello olio	1
45	63.0202.65 63.0205.65 63.0208.65 63.0212.35 63.0291.35 63.0216.35 63.0218.35	Alb. ecc. C.5 - E2E2108 Alb. ecc. C.6.5 - E2D2010 E2E2808 E2E2111 Alb. ecc. C.8 - E2D2011 E2E2810 E2E2113 Alb. ecc. C.10 - E2B2008 E2D2810 E2E2116 E2C2109 E2D2013 E2E2812 Alb. ecc. C.11 - E2D2015 E2D2811 E2E2813 Alb. ecc. C.12 - E2C2111 E2D2016 E2D2812 Alb. ecc. C.13 - E2B2010 E2B2808 E2E2815 E2C2112 E2C2809 E2D2813	1
46	91.8331.00	Cuscinetto a sfere	2
47	90.3898.00	OR D. 56.82x2.62 NBR 70SH 3225	1
48	90.1641.00	Anello rad. D. 25.0x62.0x10.0	1
49	91.4892.00	Linguetta 8.0x7.0x35.0	1
50	98.2105.00	Asta livello olio G 3/8"x51	1
51	90.3925.50	OR D. 113.97x2.62 NBR 70SH 3450	1
52	58.1600.22	Coperchio posteriore	1
53	98.2042.50	Tappo G.1/4"x9 TE17 - Zinc.	1
54	90.3585.00	OR D. 10.82x1.78 NBR 70SH 2043	1
55	98.1966.00	Tappo G.1/8"x8	1
56	99.3037.00	Vite M8x16 UNI 5739	4
57	96.7016.00	Rosetta D. 8.4x14.4x2.0	4
58	50.2000.74	Piedino pompa	2
59	90.3859.00	OR D. 25.07x2.62 NBR 70SH 3100	1
60	90.0671.00	Anello d'arresto Z130	1
61	58.1501.22	Coperchio laterale	1

POS	COD.	DESCRIZIONE – DESCRIPTION - KIT	NR
20	98.2137.00	Tappo M18x1.5x10	3
21	99.3175.00	Vite M8x60 UNI 5931	8
22	44.1002.51 63.1010.51	Anello di testa D. 13 Anello di testa D. 15	272-275 273-276
23	90.2602.00 90.2611.00	An. ten. alt. D. 13.0x21.0x4.0 HP An. ten. alt. D. 15.0x24.0x5.4/3.4 HP	272-275 273-276
24	90.5076.50 90.5089.90	Anello antiest. D. 13x21x3 Anello antiest. D. 15x24x2	272-275 273-276
25	58.6056.01 58.6057.01	Gr. supp. guarn./boccola D. 13 Gr. supp. guarn./boccola D. 15	275 276
26	90.3606.00	OR D. 26.7x1.78 NBR 70SH 2106 272-273-275-276	3
28	90.2601.00 90.2608.00	Anello ten. alt. D. 13x20x5 LP Anello ten. alt. D. 15x22x5 LP	272-275 273-276
29	58.2106.70 58.2107.70	Anello per tenuta D. 13 Anello per tenuta D. 15	275 276
30	98.2100.00	Tappo G.3/8"x13	1
31	96.7380.00	Rosetta D. 17.5x23.0x1.5	1
32	98.2176.00	Tappo G.1/2"x10	1
33	96.7514.00	Rosetta D. 21.5x27.0x1.5	1
34	96.6990.00	Rosetta D. 7.5x23.0x0.5	3
35	58.2105.82	Guarnizione spugna D. 3.0x94.0	1
36	58.0100.22	Carter pompa	1
37	58.2104.51	Protezione	1
38	90.1565.50	Anello rad. D. 15.0x24.0x5.0/7.0	271
39	58.0500.66	Guida pistone	3
40	97.7340.00	Spinotto D. 10x29.5	3

POS	COD.	DESCRIZIONE – DESCRIPTION - KIT	NR
1	58.1200.41 58.1201.41	Testata pompa D. 13 Testata pompa D. 15	1
2	36.2025.51	Guida valvola d'aspirazione	269
3	94.7376.00	Molla Dm. 9.4x14.8	269
4	36.2001.76	Valvola sferica	269
5	36.2003.66	Sede valvola d'aspirazione	269
6	90.3841.00	OR D. 17.13x2.62 NBR 70SH 3068	269
7	36.7115.01	Gr. valvola d'aspirazione	269
8	90.3847.00	OR D. 20.29x2.62 NBR 90SH 3081	270
9	98.2226.00	Tappo M24x1.5x16.7	270
10	99.1690.00	Vite M5x55	3
11	96.6905.00	Rosetta D. 5.0x11.5x0.4	3
12	58.0400.09 58.0401.09	Pistone D. 13x42 Pistone D. 15x42	3
13	90.3674.00	OR D. 12.00x2.00 NBR 70SH	269
14	36.2113.66	Sede valvola di mandata	269
15	36.2112.76	Valvola sferica	269
16	94.7333.00	Molla Dm. 6.2x10.4	269
17	36.2111.51	Guida valvola di mandata	269
18	36.7193.01	Gr. valvola mandata	269
19	90.3593.00	OR D. 15.60x1.78 NBR 70SH 2062	270

**DIS. COD. 58.9500.00**



**SERIE 58**

<b>E2B1618 - E2B1711 - E2B1712 - E2B1713 E2B2014 - E2B2015 - E2C1713 - E2C1714 E2C1715 - E2C2016</b>
--

PISTON - PISTONE D. 18	PISTON - PISTONED. 20
E2B1711 - E2B1712 - E2B1713 E2B2014 - E2B2015 - E2C1713 E2C1714 - E2C1715 - E2C2016	E2B1618

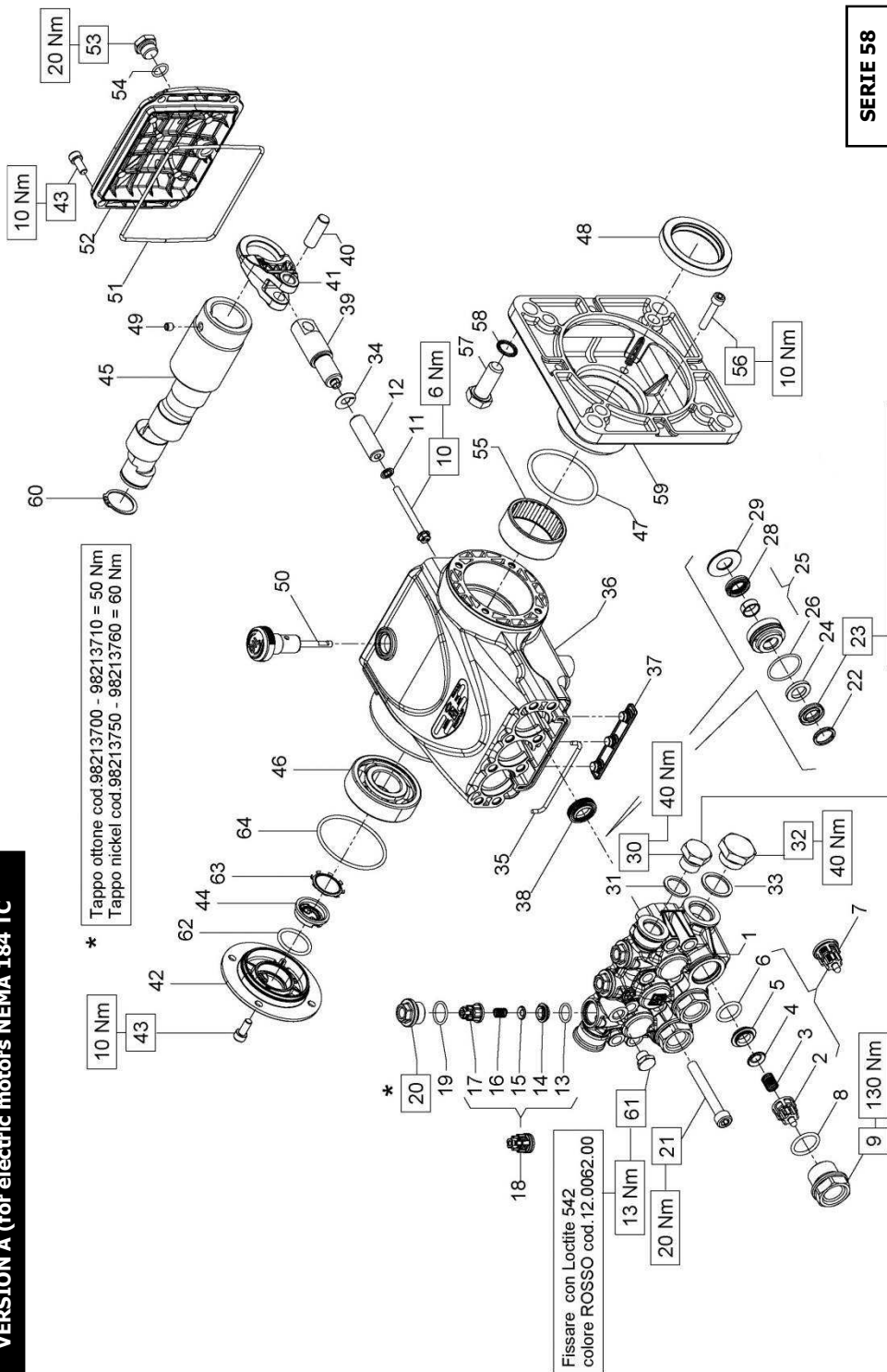
OTTONE - BRASS	NICKEL
E2B1711 - E2B1712 - E2B1713 E2B2014 - E2B2015 - E2C1713 E2C1714 - E2C1715 - E2C2016 E2B1618	E2B2015

POS	COD.	DESCRIZIONE - DESCRIPTION - KIT	NR
1	58.1202.41 58.1206.41 58.1207.41	Testata pompa D. 18 Testata pompa D. 20 Testata pompa D. 18 - NK	1
2	36.2025.51	Guida valvola d'aspirazione	269 3
3	94.7376.00	Molla Dm. 9.4x14.8	269 3
4	36.2001.76	Valvola sferica	269 3
5	36.2003.66	Sede valvola d'aspirazione	269 3
6	90.3841.00	OR D. 17.13x2.62 NBR 70SH 3068	269 3
7	36.7115.01	Gr. valvola d'aspirazione	269 3
8	90.3847.00	OR D. 20.29x2.62 NBR 90SH 3081	270-292 3
9	98.2226.00 98.2225.00	Tappo M24x1.5x16.7 Tappo M24x1.5x16.7 - NK	270 292 3
10	99.1690.00	Vite M5x55	269 3
11	96.6905.00	Rosetta D. 5.0x11.5x0.4	269 3
12	58.0402.09 59.0400.09	Pistone D. 18x42 Pistone D. 20x42	269 3
13	90.3674.00	OR D. 12.00x2.00 NBR 70SH	269 3
14	36.2113.66	Sede valvola di mandata	269 3
15	36.2112.76	Valvola sferica	269 3
16	94.7333.00	Molla Dm. 6.2x10.4	269 3
17	36.2111.51	Guida valvola di mandata	269 3
18	36.7193.01	Gr. valvola mandata	269 3
19	90.3593.00	OR D. 15.60x1.78 NBR 70SH 2062	270-292 3

### KIT RICAMBI - SPARE KITS

KIT NR.	KIT 269	KIT 270	KIT 292	KIT 271	PISTON - PISTONE D. 18	PISTON - PISTONE D. 20
Posizioni include Positions included	2 - 3 - 4 5 - 6 - 13 14 - 15 - 16 17 - (7) - (18)	8 - 9 19 - 20	8 - 9 19 - 20	38	KIT 274 22 - 23 24 - 26 28	KIT 329 22 - 23 24 - 25 26 - 28 28 29
Nr. Pcs.	3 + 3	3 + 3	3 + 3	3	3	3

POS	COD.	DESCRIZIONE - DESCRIPTION - KIT	NR
20	98.2137.00 98.2137.50	Tappo M18x1.5x10 Tappo M18x1.5x10 - NK	270 292 3
21	99.3175.00	Vite M8x60 UNI 5931	8
22	63.1011.51 66.1007.51	Anello di testa D. 18 Anello di testa D. 20	274-277 329-330 3
23	90.2653.50 90.2691.00	An. ten. alt. D. 18.0x28.0x6.0/3.7 HP An. ten. alt. D. 20.0x30.0x6.0/3.7 HP	274-277 329-330 3
24	90.5111.50 90.5134.00	Anello antiest. D. 18x28x2 Anello antiest. D. 20x30x2	274-277 329-330 3
25	58.6058.01 58.6059.01	Gr. supp. guarn./boccola D. 18 Gr. supp. guarn./boccola D. 20	277 330 3
26	90.3606.00 90.3608.00	OR D. 26.7x1.78 NBR 70SH 2106 OR D. 28.3x1.78 NBR 70SH, 2112	274-277 329-330 3
28	90.2650.00 90.2687.50	Anello ten. alt. D. 18x24x5 LP Anello ten. alt. D. 20x26x5 LP	274-277 330 3
29	58.2108.70 58.2110.70	Anello per tenuta D. 18 Anello per tenuta D. 20	277 330 3
30	98.2100.00 98.2099.00	Tappo G 3/8"x13 Tappo G 3/8"x13 - NK	1
31	96.7380.00	Rosetta D. 17.5x23.0x1.5	1
32	98.2176.00 98.2179.00	Tappo G 1/2"x10 Tappo G 1/2"x10 - NK	1
33	96.7514.00	Rosetta D. 21.5x27.0x1.5	1
34	96.6990.00	Rosetta D. 7.5x23.0x0.5	3
35	58.2105.82	Guarnizione spugna D. 3.0x94.0	1
36	58.0100.22	Carter pompa	1
37	58.2104.51	Protezione	1
38	90.1565.50	Anello rad. D. 15.0x24.0x5.0/7.0	271 3
39	58.0500.66	Guida pistone	3
40	97.7340.00	Spinotto D. 10x29.5	3
41	58.0300.22	Biella	3
42	90.0635.00	Anello d'arresto D. 25	1
43	99.1837.00	Vite M6x14 UNI 5931	8
44	53.2108.51	Vetrino spia livello olio	1
45	63.0212.35 63.0291.35 63.0216.35 63.0218.35 58.0201.65	Alb. ecc. C.10 - E2B1711 E2C1713 Alb. ecc. C.11 - E2B1712 E2C1714 Alb. ecc. C.12 - E2B1713 E2C1715 Alb. ecc. C.13 - E2B2014 E2C2016 Alb. ecc. C.14 - E2B1618 E2B2015	1
46	91.8331.00	Cuscinetto a sfere	2
47	90.3898.00	OR D. 56.82x2.62 NBR 70SH 3225	1
48	90.1641.00	Anello rad. D. 25.0x62.0x10.0	1
49	91.4892.00 98.2105.00	Linguetta 8.0x7.0x3.5.0 Asta livello olio G 3/8"x51	1
51	90.3925.50	OR D. 113.97x2.62 NBR 70SH 3450	1
52	58.1600.22	Coperchio posteriore	1
53	98.2042.50	Tappo G 1/4"x9 TE17 - Zinc.	1
54	90.3585.00	OR D. 10.82x1.78 NBR 70SH 2043	1
55	98.1966.00 98.1967.00	Tappo G 1/8"x8 Tappo G 1/8"x8 - NK	1
56	99.3037.00	Vite M8x16 UNI 5739	4
57	96.7016.00	Rosetta D. 8.4x14.4x2.0	4
58	50.2000.74	Piedino pompa	2
59	90.3859.00	OR D. 25.07x2.62 NBR 70SH 3100	1
60	90.0671.00	Anello d'arresto ZJ30	1
61	58.1501.22	Coperchio laterale carter	1



\*  
 Tappo ottone cod.98213700 - 98213710 = 50 Nm  
 Tappo nickel cod.98213750 - 98213760 = 60 Nm

\*  
 Fissare con Loctite 542  
 colore ROSSO cod.12.0062.00

**SERIE 58**

**DIS. COD. 58.9502.00**

Lubrificare con grasso di vaselina  
 cod. 12.0021.00

Fissare con Loctite 542  
 colore ROSSO cod.12.0062.00  
 solo tappo nickel cod.98209900



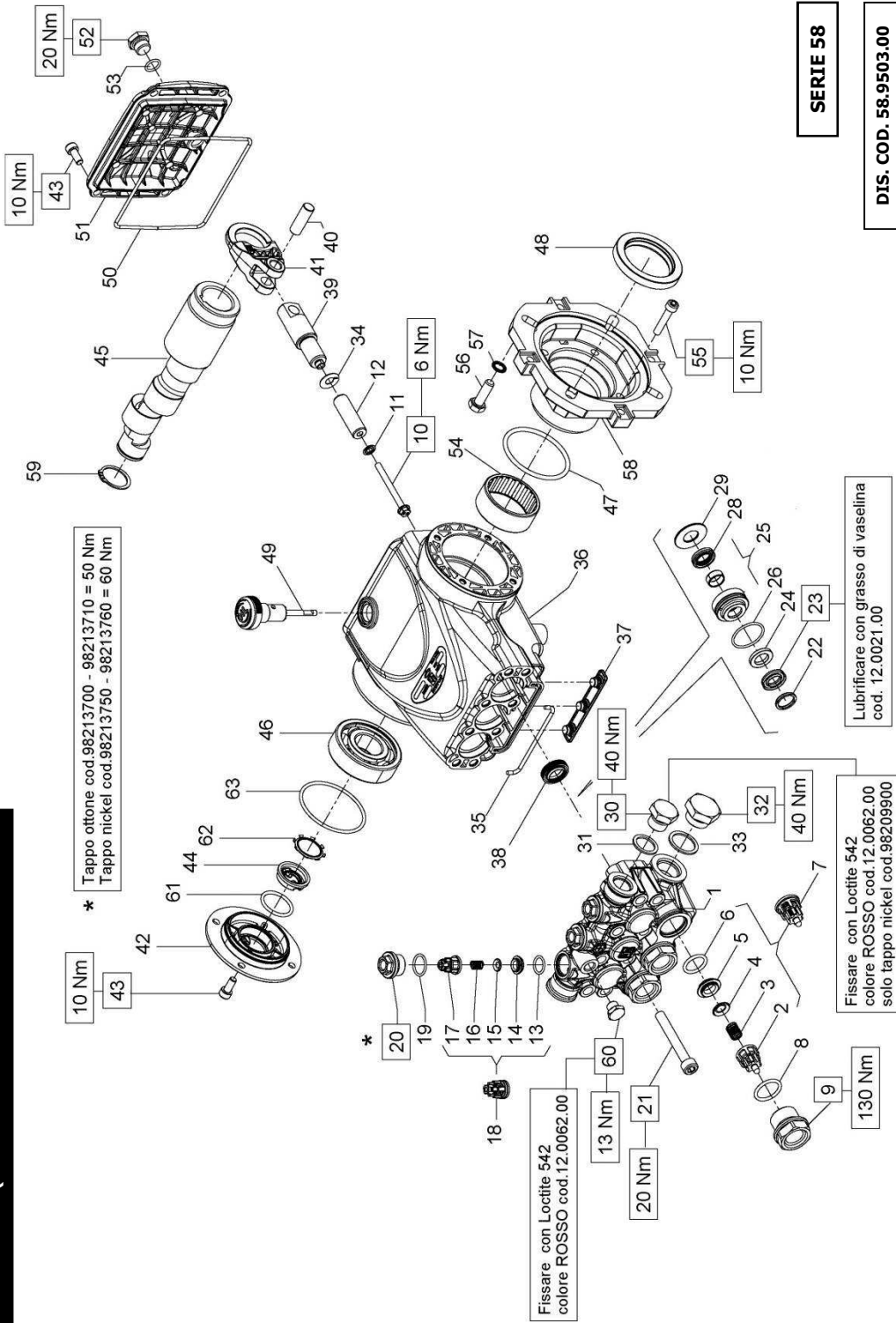
**KIT RICAMBI - SPARE KITS**

KIT 269		KIT 270	KIT 271	PISTON - PISTONED. 15		PISTON - PISTONE D. 18	
KIT NR.	2 - 3 - 4 5 - 6 - 13 14 - 15 - 16 17 - (7) - (18)	8 - 9 19 - 20	38	KIT 273	KIT 276	KIT 274	KIT 277
Posizioni incluse Positions included				22 - 23 24 - 26 28	22 - 23 24 - 25 26 - 28 29	22 - 23 24 - 25 26 - 28	22 - 23 24 - 25 26 - 28 29
Nr. Pcs.	3 + 3	3 + 3	3	3	1	3	1

POS	COD.	DESCRIZIONE - DESCRIPTION - KIT	NR	POS	COD.	DESCRIZIONE - DESCRIPTION - KIT	NR
22	63.1010.51 63.1011.51	Anello di testa D. 15 Anello di testa D. 18	273-276 274-277	43	99.1837.00	Vite M6x1,4 UNI 5931	8
23	90.2611.00 90.2653.50	An. ten. alt. D. 15.0x24.0x5.4/3.4 HP An. ten. alt. D. 18.0x28.0x6.0/3.7 HP	273-276 274-277	44	53.2108.51	Vetrino spia livello olio	1
24	90.5089.90 90.5111.50	Anello antiest. D. 15x24x2 Anello antiest. D. 18x28x2	273-276 274-277	45	63.0232.65 63.0294.65 63.0236.65	Alb. ecc. C.10 - E2C1713 E2C2109 Alb. ecc. C.11 - E2C1714 Alb. ecc. C.12 - E2C1715 E2C2111	1
25	58.6057.01 58.6058.01	Gr. supp. guarn./boccola D. 15 Gr. supp. guarn./boccola D. 18	276 277	46	91.8331.00	Cuscinetto a sfere	1
26	90.3606.00	OR D. 26.7x1.78 NBR 705H 2106	273-274-276-277	47	90.4097.00	OR D. 55.56x3.53 NBR 705H 159	1
28	90.2608.00 90.2650.00	Anello ten. alt. D. 15x22x5 LP Anello ten. alt. D. 18x24x5 LP	273-276 274-277	48	90.1690.00	Anello rad. D. 45.0x62.0x8.0	1
29	58.2107.70 58.2108.70	Anello per tenuta D. 15 Anello per tenuta D. 18	276 277	49	99.1790.00		1
30	98.2100.00	Tappo G 3/8"x13		50	98.2105.00	Asta livello olio G 3/8"x51	1
31	96.7380.00	Rosetta D. 17.5x23.0x1.5		51	90.3925.50	OR D. 113.97x2.62 NBR 705H 3450	1
32	98.2176.00	Tappo G 1/2"x10		52	58.1600.22	Coperchio posteriore	1
33	96.7514.00	Rosetta D. 21.5x27.0x1.5		53	98.2042.50	Tappo G 1/4"x9 TE17 - Zinc.	1
34	96.6990.00	Rosetta D. 7.5x23.0x0.5		54	90.3585.00	OR D. 10.82x1.78 NBR 705H 2043	1
35	58.2105.82	Guarnizione spugna D. 3.0x94.0		55	91.8568.00	Boccola a rullini	1
36	58.0100.22	Carter pompa		56	99.1912.00	Vite M6x30 5931	4
37	58.2104.51	Protezione		57	99.4600.00	Vite 1/2"x1-1/4"	4
38	90.1565.50	Anello rad. D. 15.0x24.0x5.0/7.0	271	58	96.7195.00	Rosetta D. 13.0x18.0x1.1	4
39	58.0500.66	Guida pistone		59	10.0504.22	Flangia motore elettrico 145-184TC	1
40	97.7340.00	Spinnotto D. 10x29.5		60	90.0635.00	Anello d'arresto D. 25	1
41	58.0300.22	Biella		61	98.1966.00	Tappo G 1/8"x8	1
42	58.1501.22	Coperchio laterale		62	90.3859.00	OR D. 25.07x2.62 NBR 705H 3100	1
				63	90.0671.00	Anello d'arresto Z130	1
				64	90.3898.00	OR D. 56.82x2.62 NBR 705H 3225	1

E2C2109 - E2C2111 - E2C1713 - E2C1714 - E2C1715		PISTON - PISTONE D. 18	
E2C2109 - E2C2111	E2C1713 - E2C1714 - E2C1715		

POS	COD.	DESCRIZIONE - DESCRIPTION - KIT	NR
1	58.1201.41 58.1202.41	Testata pompa D. 15 Testata pompa D. 18	1
2	36.2025.51	Guida valvola d'aspirazione	269
3	94.7376.00	Molla Dm. 9.4x14.8	269
4	36.2001.76	Valvola sferica	269
5	36.2003.66	Sede valvola d'aspirazione	269
6	90.3841.00	OR D. 17.13x2.62 NBR 705H 3068	269
7	36.7115.01	Gr. valvola d'aspirazione	269
8	90.3847.00	OR D. 20.29x2.62 NBR 905H 3081	270
9	98.2226.00	Tappo M24x1.5x16.7	270
10	99.1690.00	Vite M5x55	3
11	96.6905.00	Rosetta D. 5.0x11.5x0.4	3
12	58.0401.09 58.0402.09	Pistone D. 15x42 Pistone D. 18x42	3
13	90.3674.00	OR D. 12.00x2.00 NBR 705H	269
14	36.2113.66	Sede valvola di mandata	269
15	36.2112.76	Valvola sferica	269
16	94.7333.00	Molla Dm. 6.2x10.4	269
17	36.2111.51	Guida valvola di mandata	269
18	36.7193.01	Gr. valvola mandata	269
19	90.3593.00	OR D. 15.60x1.78 NBR 705H 2062	270
20	98.2137.00	Tappo M18x1.5x10	270
21	99.3175.00	Vite M8x60 UNI 5931	8



**KIT RICAMBI - SPARE KITS**

KIT NR.	KIT 269	KIT 270	KIT 271	PISTON - PISTONE D. 13			PISTON - PISTONE D. 15			PISTON - PISTONE D. 18		
				KIT 272	KIT 275	KIT 273	KIT 276	KIT 277	KIT 274	KIT 277		
Posizioni incluse Positions included	2-3-4 5-6-13 14-15-16 17-(7)-(18)	8-9 19-20	38	22-23 24-26 28	22-23 24-26 26-28 29	22-23 24-26 28	22-23 24-25 26-28 29	22-23 24-25 26-28 29	22-23 24-25 26-28 29	22-23 24-25 26-28 29	22-23 24-25 26-28 29	
Nr. Pcs.	3+3	3+3	3	3	1	3	1	3	1	3	1	

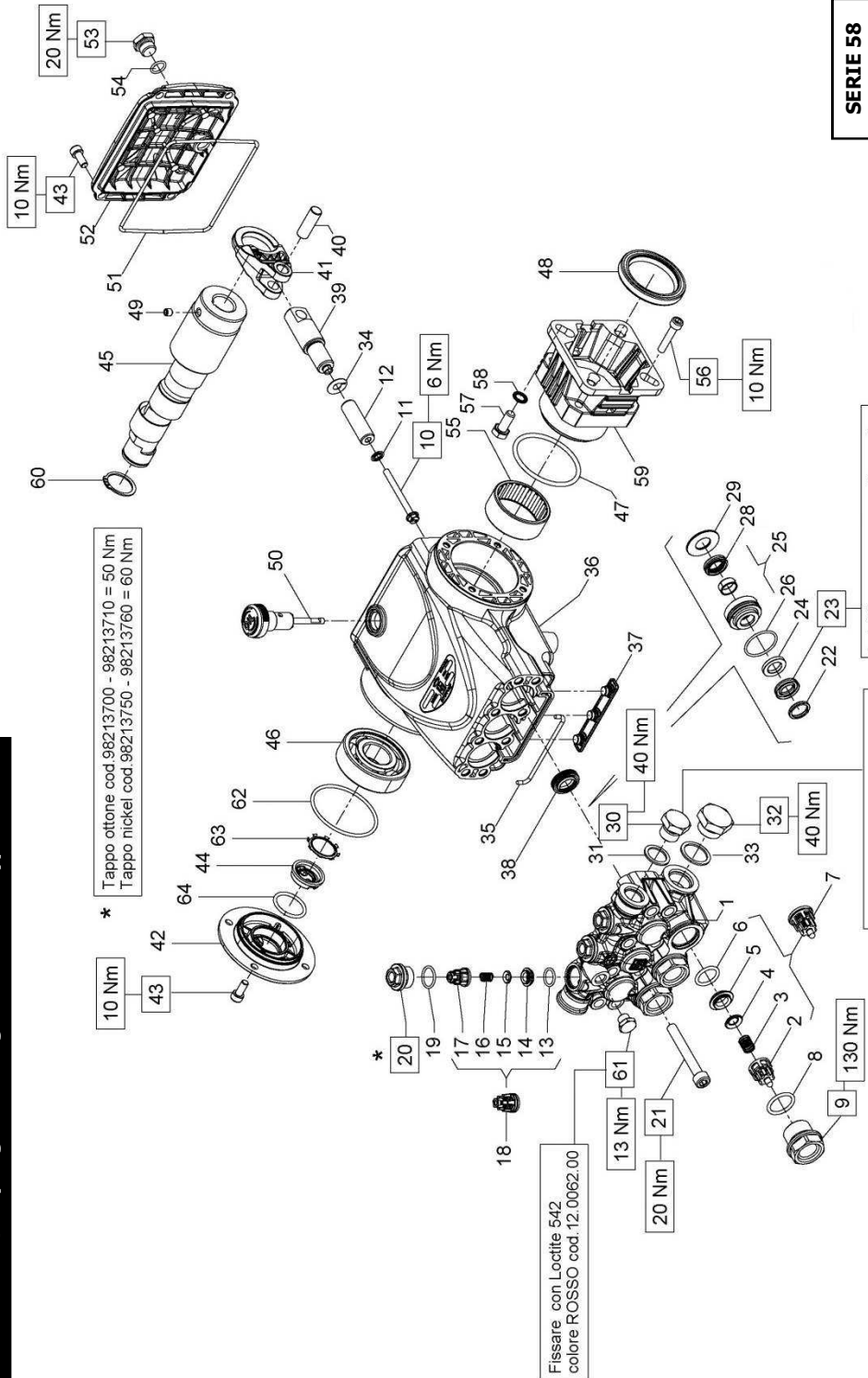
POS	COD.	DESCRIZIONE - DESCRIPTION - KIT	NR
40	97.7340.00	Spinotto D. 10x29,5	3
41	58.0300.22	Biella	3
42	58.1501.22	Coperchio laterale	1
43	99.1837.00	Vite M6x14 UNI 5931	8
44	53.2108.51	Vetrino spia livello olio	1
45	63.0245.65	Alb. ecc. C.6.5 - E2D2010	1
	63.0248.65	Alb. ecc. C.8 - E2D2011	
46	63.0252.65	Alb. ecc. C.10 - E2B2008 E2D2810 E2B1711 E2D2013	1
	63.0293.65	Alb. ecc. C.11 - E2D2015 E2D2811 E2B1712	
	63.0256.65	Alb. ecc. C.12 - E2B1713 E2D2016 E2D2812	
	63.0295.65	Alb. ecc. C.13 - E2B2010 E2B2808 E2B2014 E2D2813	
46	91.8331.00	Cuscinetto a sfere	1
47	90.4097.00	OR D. 55.56x3.53 NBR 705H 159	1
48	90.1690.00	Anello rad. D. 45.0x62.0x8.0	1
49	98.2105.00	Asta livello olio G 3/8"x51	1
50	90.3925.50	OR D. 113.97x2.62 NBR 705H 3450	1
51	58.1600.22	Coperchio posteriore	1
52	98.2042.50	Tappo G 1/4"x9 TE17 - Zinc.	1
53	90.3585.00	OR D. 10.82x11.78 NBR 705H 2043	1
54	91.8568.00	Boccola a rullini	1
55	99.1912.00	Vite M6x30 5931	4
56	99.3067.00	Vite M8x25 5739	4
57	96.7014.00	Rosetta D. 8.4x13.0x0.7	4
58	10.0494.22	Flangia motore elettrico 100-112 B14	1
59	90.0635.00	Anello d'arresto D. 25	1
60	98.1966.00	Tappo G 1/8"x8	1
61	90.3859.00	OR D. 25.07x2.62 NBR 705H 3100	1
62	90.0671.00	Anello d'arresto Z130	1
63	90.3898.00	OR D. 56.82x2.62 NBR 705H 3225	1

POS	COD.	DESCRIZIONE - DESCRIPTION - KIT	NR
22	44.1002.51	Anello di testa D. 13	272-275
	63.1010.51	Anello di testa D. 15	273-276
	63.1011.51	Anello di testa D. 18	274-277
23	90.2602.00	An. ten. alt. D. 13.0x21.0x4.0 HP	272-275
	90.2611.00	An. ten. alt. D. 15.0x24.0x5.4/3.4 HP	273-276
24	90.2653.50	An. ten. alt. D. 18.0x28.0x6.0/3.7 HP	273-276
	90.5076.50	Anello antiest. D. 13x21x3	272-275
25	90.5089.90	Anello antiest. D. 15x24x2	273-276
	90.5111.50	Anello antiest. D. 18x28x2	274-277
26	58.6056.01	Gr. supp. guarn./boccola D. 13	275
	58.6057.01	Gr. supp. guarn./boccola D. 15	276
27	58.6058.01	Gr. supp. guarn./boccola D. 18	277
	90.3606.00	OR D. 26.7x1.78 NBR 705H 2106	3
28	90.2601.00	Anello ten. alt. D. 13x20x5 LP	272-275
	90.2608.00	Anello ten. alt. D. 15x22x5 LP	273-276
29	90.2650.00	Anello ten. alt. D. 18x24x5 LP	274-277
	58.2106.70	Anello per tenuta D. 13	275
30	58.2107.70	Anello per tenuta D. 15	276
	58.2108.70	Anello per tenuta D. 18	277
31	96.7380.00	Tappo G 3/8"x13	1
32	96.7176.00	Rosetta D. 17.5x23.0x1.5	1
33	98.2514.00	Tappo G 1/2"x10	1
34	96.6990.00	Rosetta D. 21.5x27.0x1.5	1
35	58.2105.82	Rosetta D. 7.5x23.0x0.5	3
36	58.0100.22	Guarnizione spugna D. 3.0x94.0	1
37	58.2104.51	Cartier pompa	1
38	90.1565.50	Protezione	1
39	58.0500.66	Anello rad. D. 15.0x24.0x5.0/7.0	271
		Guida pistone	3

E2B2808 - E2B2808 - E2B2010 - E2D2010	PISTON D. 15	PISTON D. 18
E2D2810 - E2D2011 - E2D2811 - E2D2812	E2B2008 - E2B2010	E2B1711 - E2B1712
E2D2013 - E2D2813 - E2D2015 - E2D2016	E2D2010 - E2D2011	E2B1713 - E2B2014
E2B1711 - E2B1712 - E2B1713 - E2B2014	E2D2013 - E2D2015	
	E2D2816	

POS	COD.	DESCRIZIONE - DESCRIPTION - KIT	NR
1	58.1200.41	Testata pompa D. 13	1
2	58.1201.41	Testata pompa D. 15	1
3	58.1202.41	Testata pompa D. 18	1
2	36.2025.51	Guida valvola d'aspirazione	269
3	94.7376.00	Molla Dm. 9.4x14.8	269
4	36.2001.76	Valvola sferica	269
5	36.2003.66	Sede valvola d'aspirazione	269
6	90.3841.00	OR D. 17.13x2.62 NBR 705H 3068	269
7	36.7115.01	Gr. valvola d'aspirazione	269
8	90.3847.00	OR D. 20.29x2.62 NBR 905H 3081	270
9	98.2226.00	Tappo M24x1.5x16.7	270
10	99.1690.00	Vite M5x55	3
11	96.6905.00	Rosetta D. 5.0x11.5x0.4	3
12	58.0400.09	Pistone D. 13x42	3
	58.0401.09	Pistone D. 15x42	3
	58.0402.09	Pistone D. 18x42	3
13	90.3674.00	OR D. 12.00x2.00 NBR 705H	269
14	36.2113.66	Sede valvola di mandata	269
15	36.2112.76	Valvola sferica	269
16	94.7333.00	Molla Dm. 6.2x10.4	269
17	36.2111.51	Guida valvola di mandata	269
18	36.7193.01	Gr. valvola mandata	269
19	90.3593.00	OR D. 15.60x1.78 NBR 705H 2062	270
20	98.2137.00	Tappo M18x1.5x10	270
21	99.3175.00	Vite M8x60 UNI 5931	8

**VERSION C 3/4" (for gasoline engines SAE J 609 type A ext.3**



\* Tappo ottone cod.98213700 - 98213710 = 50 Nm  
 Tappo nickel cod.98213750 - 98213760 = 60 Nm

\* Fissare con Loctite 542 colore ROSSO cod.12.0062.00

Lubrificare con grasso di vaselina cod. 12.0021.00

Fissare con Loctite 542 colore ROSSO cod.12.0062.00 solo tappo nickel cod.98209900

**SERIE 58**

**DIS. COD. 58.9501.00**

**KIT RICAMBI - SPARE KITS**

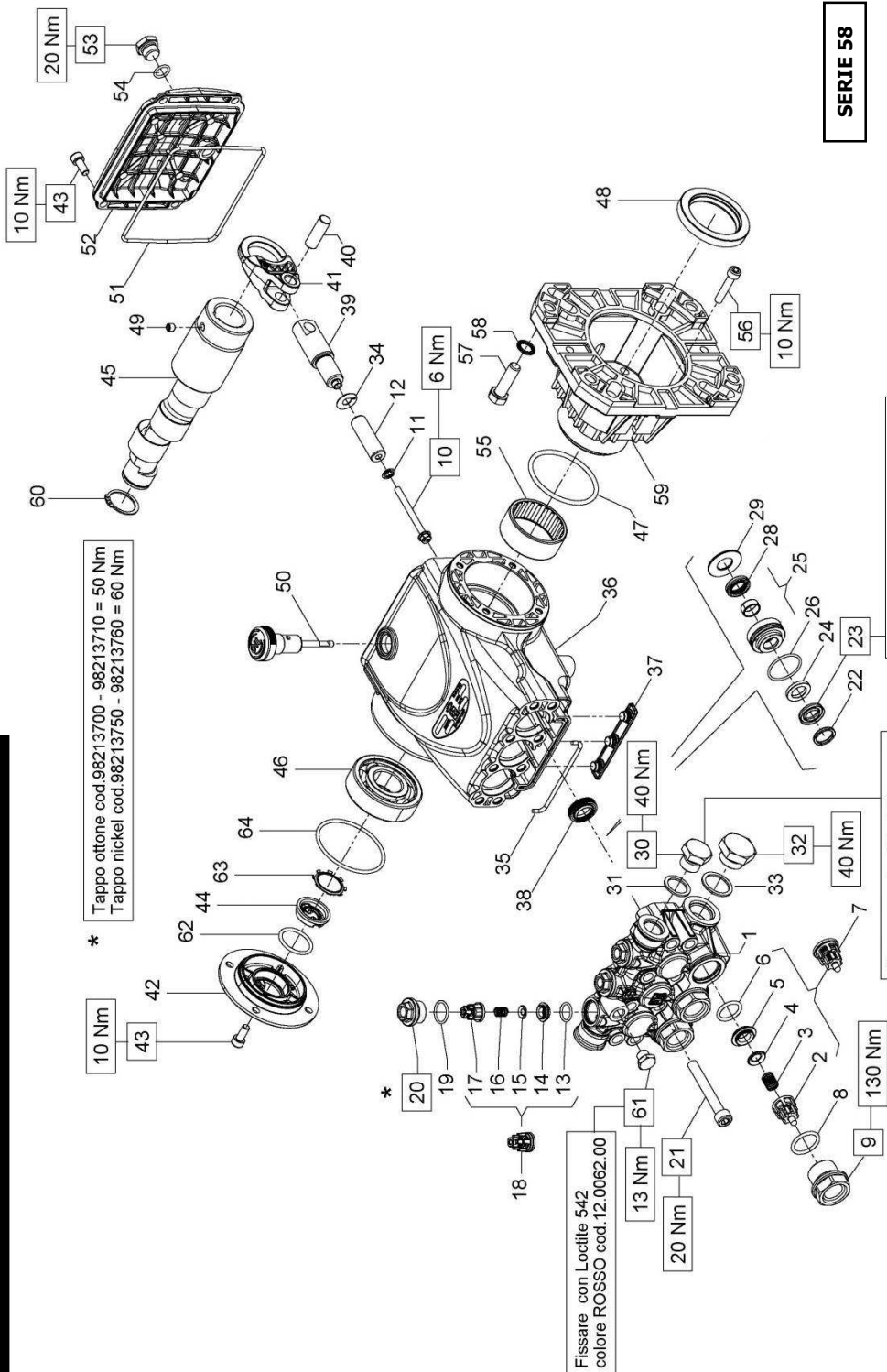
KIT NR.	KIT 269	KIT 270	KIT 271	KIT 273	KIT 276
Posizioni include Positions included	2 - 3 - 4 5 - 6 - 13 14 - 15 - 16 17 - (7) - (18)	8 - 9 19 - 20	38	22 - 23 24 - 26 28	22 - 23 24 - 25 26 - 28 29
Nr. Pcs.	3 + 3	3 + 3	3	3	1

POS	COD.	DESCRIZIONE - DESCRIPTION - KIT	NR
1	58.1201.41	Testata pompa D. 15	1
2	36.2025.51	Guida valvola d'aspirazione	269 3
3	94.7376.00	Molla Dm. 9.4x14.8	269 3
4	36.2001.76	Valvola sferica	269 3
5	36.2003.66	Sede valvola d'aspirazione	269 3
6	90.3841.00	OR D. 17.113x2.62 NBR 70SH 3068	269 3
7	36.7115.01	Gr. valvola d'aspirazione	269 3
8	90.3847.00	OR D. 20.29x2.62 NBR 90SH 3081	270 3
9	98.2226.00	Tappo M24x1.5x16.7	270 3
10	99.1690.00	Vite M5x55	3
11	96.6905.00	Rosetta D. 5.0x11.5x0.4	3
12	58.0401.09	Pistone D. 15x42	3
13	90.3674.00	OR D. 12.00x2.00 NBR 70SH	269 3
14	36.2113.66	Sede valvola di mandata	269 3
15	36.2112.76	Valvola sferica	269 3
16	94.7333.00	Molla Dm. 6.2x10.4	269 3
17	36.2111.51	Guida valvola di mandata	269 3
18	36.7193.01	Gr. valvola mandata	269 3
19	90.3593.00	OR D. 15.60x1.78 NBR 70SH 2062	270 3
20	98.2137.00	Tappo M18x1.5x10	270 3
21	99.3175.00	Vite M8x60 UNI 5931	8
22	63.1010.51	Anello di testa D. 15	273-276 3
23	90.2611.00	An. ten. alt. D. 15.0x24.0x5.4/3.4 HP	273-276 3
24	90.5089.90	Anello antief. D. 15x24x2	273-276 3
25	58.6057.01	Gr. supp. guam./boccola D. 15	276 3
26	90.3606.00	OR D. 26.7x1.78 NBR 70SH 2106	273-276 3

POS	COD.	DESCRIZIONE - DESCRIPTION - KIT	NR
28	90.2608.00	Anello ten. alt. D. 15x22x5 LP 273-276	3
29	58.2107.70	Anello per tenuta D. 15	276 3
30	98.2100.00	Tappo G 3/8"x13	1
31	96.7380.00	Rosetta D. 17.5x23.0x1.5	1
32	98.2176.00	Tappo G 1/2"x10	1
33	96.7514.00	Rosetta D. 21.5x27.0x1.5	1
34	96.6990.00	Rosetta D. 7.5x23.0x0.5	3
35	58.2105.82	Guarnizione spugna D. 3.0x94.0	1
36	58.0100.22	Carter pompa	1
37	58.2104.51	Protezione	1
38	90.1565.50	Anello rad. D. 15.0x24.0x5.0/7.0	271 3
39	58.0500.66	Guida pistone	3
40	97.7340.00	Spinotto D. 10x29.5	3
41	58.0300.22	Biella	3
42	58.1501.22	Coperchio laterale	1
43	99.1837.00	Vite M6x14 UNI 5931	8
44	53.2108.51	Vetrino spia livello olio	1
45	63.0265.65	Alb. ecc. C.5 - EZE2108	1
	63.0264.65	Alb. ecc. C.6,5 - EZE2111	
	63.0266.65	Alb. ecc. C.8 - EZE2113	
46	91.8331.00	Cuscinetto a sfere	1
47	90.4097.00	OR D. 55.56x3.53 NBR 70SH 159	1
48	90.1687.00	Anello rad. D. 45.0x60.0x8.0	1
49	99.1790.00	Vite M6x06 5929	1
50	98.2105.00	Asta livello olio G 3/8"x51	1
51	90.3925.50	OR D. 113.97x2.62 NBR 70SH 3450	1
52	58.1600.22	Coperchio posteriore	1
53	98.2042.50	Tappo G 1/4"x9 TE17 - Zinc.	1
54	90.3585.00	OR D. 10.82x1.78 NBR 70SH 2043	1

POS	COD.	DESCRIZIONE - DESCRIPTION - KIT	NR
55	91.8568.00	Boccola a rullini	1
56	99.1912.00	Vite M6x30 5931	4
57	99.2730.00	Vite 5/16"x3/4"	4
58	96.7014.00	Rosetta D. 8.4x13.0x0.7	4
59	10.0617.22	Flangia motore a scoppio SAE 1609	1
60	90.0635.00	Anello d'arresto D. 25	1
61	98.1966.00	Tappo G 1/8"x8	1
62	90.3859.00	OR D. 25.07x2.62 NBR 70SH 3100	1
63	90.0671.00	Anello d'arresto ZJ30	1
64	90.3898.00	OR D. 56.82x2.62 NBR 70SH 3225	1

**VERSION C 1" (for gasoline engines SAE J 609 type B ext.4**



\* Tappo ottone cod.98213700 - 98213710 = 50 Nm  
Tappo nickel cod.98213750 - 98213760 = 60 Nm

\*

Lubrificare con grasso di vaselina cod. 12.0021.00

Fissare con Loctite 542 colore ROSSO cod.12.0062.00 solo tappo nickel cod.98209900

**SERIE 58**

**DIS. COD. 58.9504.00**

<b>EZE2108 - EZE2808 - EZE2810 - EZE2111 EZE2811 - EZE2812 - EZE2113 - EZE2813 EZE2114 - EZE2815 - EZE2116</b>	
--	--

PISTON - PISTONE D. 13		PISTON - PISTONE D. 15	
EZE2808	EZE2810	EZE2811	EZE2113
EZE2812	EZE2813	EZE2114	EZE2116
EZE2815	EZE2816	EZE2108	EZE2111

OTTONE - BRASS		NICKEL	
EZE2808	EZE2810	EZE2812	EZE2815
EZE2813	EZE2111	EZE2113	EZE2114
EZE2116	EZE2108	EZE2815	

POS	COD.	DESCRIZIONE - DESCRIPTION - KIT	NR
1	58.1200.41	Testata pompa D. 13	1
2	58.1201.41	Testata pompa D. 15	1
3	58.1212.41	Testata pompa D. 13 - NK	
2	36.2025.51	Guida valvola d'aspirazione	269 3
3	94.7376.00	Molla Dm. 9.4x14.8	269 3
4	36.2001.76	Valvola sferica	269 3
5	36.2003.66	Sede valvola d'aspirazione	269 3
6	90.3841.00	OR D. 17.13x2.62 NBR 70SH 3068	269 3
7	36.7115.01	Gr. valvola d'aspirazione	269 3
8	90.3847.00	OR D. 20.29x2.62 NBR 90SH 3081	270-292 3
9	98.2226.00	Tappo M24x1.5x16.7	270
10	98.2225.00	Tappo M24x1.5x16.7 - NK	292
10	99.1690.00	Vite M5x5	3
11	96.6905.00	Rosetta D. 5.0x11.5x0.4	3
12	58.0400.09	Pistone D. 13x42	3
13	58.0401.09	Pistone D. 15x42	3
13	90.3674.00	OR D. 12.00x2.00 NBR 70SH	269 3
14	36.2113.66	Sede valvola di mandata	269 3
15	36.2112.76	Valvola sferica	269 3
16	94.7333.00	Molla Dm. 6.2x10.4	269 3
17	36.2111.51	Guida valvola di mandata	269 3
18	36.7193.01	Gr. valvola mandata	269 3
19	90.3593.00	OR D. 15.60x1.78 NBR 70SH 2062	270-292 3

**KIT RICAMBI - SPARE KITS**

KIT NR.	KIT 269	KIT 270	KIT 292	KIT 271
Posizioni incluse Positions included	2 - 3 - 4 5 - 6 - 13 14 - 15 - 16 17 - (7) - (18)	8 - 9 19 - 20	8 - 9 19 - 20	38
Nr. Pcs.	3 + 3	3 + 3	3 + 3	3

POS	COD.	DESCRIZIONE - DESCRIPTION - KIT	NR
20	98.2137.00	Tappo M18x1.5x10	270
	98.2137.50	Tappo M18x1.5x10 - NK	292
21	99.3175.00	Vite M8x60 UNI 5931	8
22	44.1002.51	Anello di testa D. 13	272-275
	63.1010.51	Anello di testa D. 15	273-276
23	90.2602.00	An. ten. alt. D. 13.0x21.0x4.0 HP	272-275
	90.2611.00	An. ten. alt. D. 15.0x24.0x5.4/3.4 HP	273-276
24	90.5076.50	Anello antiest. D. 13x21x3	272-275
	90.5089.90	Anello antiest. D. 15x24x2	273-276
25	58.6056.01	Gr. supp. guarn./boccola D. 13	275
	58.6057.01	Gr. supp. guarn./boccola D. 15	276
26	90.3606.00	OR D. 26.7x1.78 NBR 70SH 2106	272-273-275-276
28	90.2601.00	Anello ten. alt. D. 13x20x5 LP	272-275
	90.2608.00	Anello ten. alt. D. 15x22x5 LP	273-276
29	58.2106.70	Anello per tenuta D. 13	275
	58.2107.70	Anello per tenuta D. 15	276
30	98.2100.00	Tappo G 3/8"x13	1
	98.2099.00	Tappo G 3/8"x13 - NK	1
31	96.7380.00	Rosetta D. 17.5x23.0x1.5	1
32	98.2176.00	Tappo G 1/2"x10	1
	98.2179.00	Tappo G 1/2"x10 - NK	1
33	96.7514.00	Rosetta D. 21.5x27.0x1.5	1
34	96.6990.00	Rosetta D. 7.5x23.0x0.5	3
35	58.2105.82	Guarnizione spugna D. 3.0x94.0	1
36	58.0100.22	Cartor pompa	1
37	58.2104.51	Protezione	1
38	90.1565.50	Anello rad. D. 15.0x24.0x5.0/7.0	271
39	58.0500.66	Guida pistone	3
40	97.7340.00	Spinotto D. 10x29.5	3
41	58.0300.22	Biella	3

POS	COD.	DESCRIZIONE - DESCRIPTION - KIT	NR
42	58.1501.22	Coperchio laterale	1
43	99.1837.00	Vite M6x14 UNI 5931	8
44	53.2108.51	Vitrino spia livello olio	1
	63.0274.65	Alb. ecc. C.5 - EZE2808	
	63.0277.65	Alb. ecc. C.6.5 - EZE2808 EZE2111	
	63.0280.65	Alb. ecc. C.8 - EZE2810 EZE2113	
	63.0282.65	Alb. ecc. C.9 - EZE2811 EZE2114	
45	63.0284.65	Alb. ecc. C.10 - EZE2812 EZE2116	1
	63.0292.65	Alb. ecc. C.11 - EZE2813	
	63.0290.65	Alb. ecc. C.13 - EZE2815	
46	91.8331.00	Cuscinetto a sfere	1
47	90.4097.00	OR D. 55.56x3.53 NBR 70SH 159	1
48	90.1690.00	Anello rad. D. 45.0x62.0x8.0	1
49	99.1790.00	Vite M6x6 5929	1
50	98.2105.00	Asia livello olio G 3/8"x51	1
51	90.3925.50	OR D. 113.97x2.62 NBR 70SH 3450	1
52	58.1600.22	Coperchio posteriore	1
53	98.2042.50	Tappo G 1/4"x9 TE17 - Zinc.	1
54	90.3585.00	OR D. 10.82x1.78 NBR 70SH 2043	1
55	91.8568.00	Boccola a nullini	1
56	99.1912.00	Vite M6x30 5931	4
57	99.2755.00	Vite 5/16"x1"	4
	99.3346.00	Vite 3/8"x1-1/4"	
58	96.7020.00	Rosetta 8.4x15.0x1.5	4
	96.7104.00	Rosetta 10.5x16.0x1.0	
59	10.0518.22	Flangia motore a scoppio J609-B	1
60	90.0635.00	Anello d'arresto D. 25	1
61	98.1966.00	Tappo G 1/8"x8	1
	98.1667.00	Tappo G 1/8"x8 - NK	
62	90.3859.00	OR D. 25.07x2.62 NBR 70SH 3100	1
63	90.0671.00	Anello d'arresto Z130	1
64	90.3898.00	OR D. 56.82x2.62 NBR 70SH 3225	1

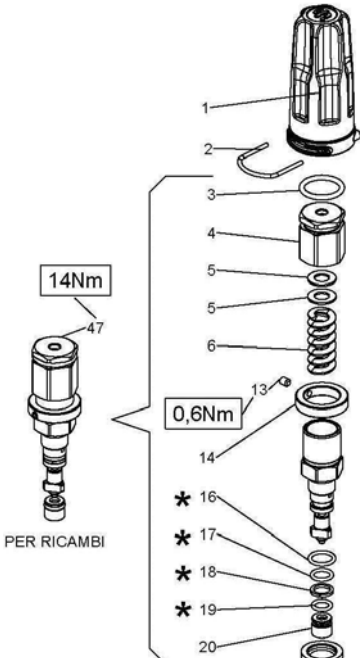
# VH VERSION

VERSIONE CON VALVOLA DI REGOLAZIONE AUT. – VERSION WITH BUILT-IN AUT. UNLOADER  
 VERSION AVEC RÉGULATEUR AUT. DE PRESSION INCORPORÉ  
 AUSFÜHRUNG MIT EINGEBAUTEM AUT. DRUCKREGULIERVENTIL

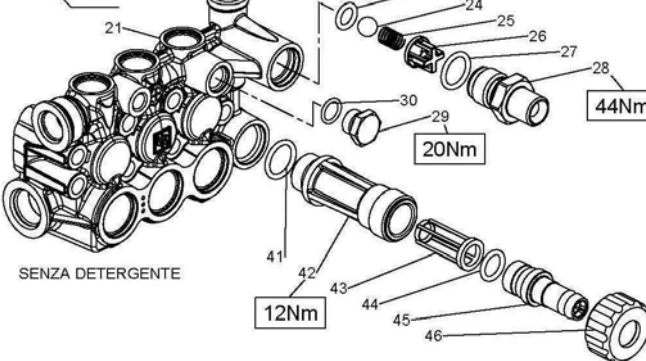
VERSIÓN CON REGULADOR AUT. DE PRESIÓN INCORPORADO - VERSÃO COM VÁLVULA DO REGULAMENTO AUT.

SERIE 58

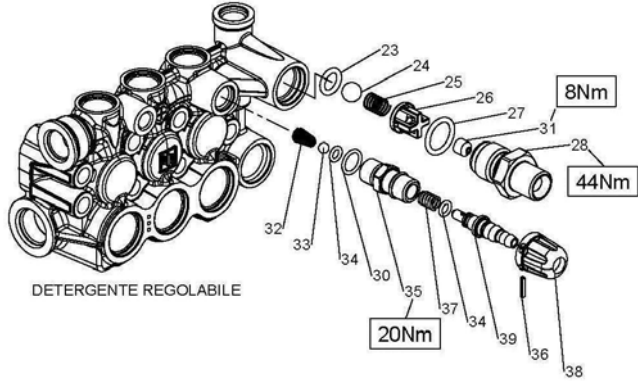
OPTIONALS



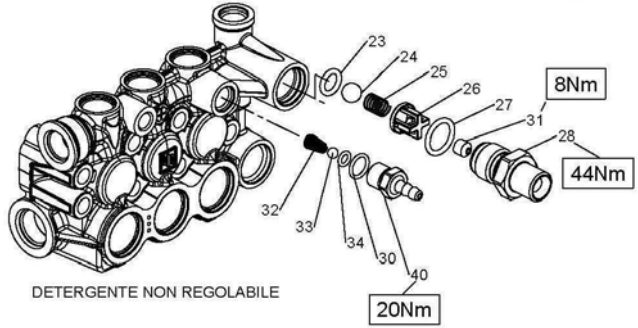
PER RICAMBI



SENZA DETERGENTE



DETERGENTE REGOLABILE



DETERGENTE NON REGOLABILE

\* = Se necessario prima del montaggio ingrassare.  
 - Usare grasso di vaselina per pompe -

DIS. COD. 36.9547.00



# VH VERSION

**VERSIONE CON VALVOLA DI REGOLAZIONE AUT. – VERSION WITH BUILT-IN AUT. UNLOADER  
VERSION AVEC RÉGULATEUR AUT. DE PRESSION INCORPORÉ  
AUSFÜHRUNG MIT EINGEBAUTEM AUT. DRUCKREGULIERVENTIL**

**VERSIÓN CON REGULADOR AUT. DE PRESIÓN INCORPORADO - VERSÃO COM VÁLVULA DO REGULAMENTO AUT**

POS	COD.	DESCRIZIONE – DESCRIPTION - KIT	NR
1	36.3506.51	Pomolo di regolazione	1
2	10.0846.66	Forcella per pomolo di regolazione	1
3	90.3845.00	OR D. 18.72x2.62 NBR 70SH 3075	1
4	36.3481.70	Registro di pressione	1
5	36.3486.51	Rondella di scorrimento	2
6	94.7395.00	Molla Dm. 11.3x34.5	1
13	99.1267.00	Vite M4x5 UNI 5929	1
14	36.3477.70	Ghiera di pressione massima	1
16	90.3587.00	OR D. 11.11x1.78 NBR 70SH 114	1
17	90.3581.00	OR D. 8.73x1.78 NBR 70SH 108	1
18	90.5038.00	Anello antiest. D. 9.0x12.0x1.5	1
19	90.3578.00	OR D. 7.66x1.78 NBR 70SH 2031	1
20	36.3483.66	Sede	1
21	58.1203.41 58.1204.41 58.1205.41 58.1209.41 58.1210.41 58.1211.41 58.1213.41	Testata con valv. integ. DX D. 13 Testata con valv. integ. DX D. 15 Testata con valv. integ. DX D. 18 Testata con valv. integ. SX D. 13 Testata con valv. integ. SX D. 15 Testata con valv. integ. SX D. 18 Testata con valv. integ. DX D. 15 – NK	1
23	90.3823.00	OR D. 9.92x2.62 NBR 70SH 112	278 1
24	97.4838.00	Sfera D. 13/32"	278 1
25	94.7355.00	Molla Dm. 8.5x12.0	278 1
26	36.3104.51	Guida valvola	278 1
27	90.3839.00	OR D. 15.88x2.62 NBR 70SH 121	278 1
28	36.3490.70 36.3489.70 36.3488.70 36.3487.70 36.3479.70	Nipplo 3/8" NPT – F – D. 3 Nipplo G 3/8" – F – D. 3 Nipplo M22x1.5 – D. 3 Nipplo 3/8" NPT – M – D. 3 Nipplo G 3/8" – M – D. 3	1
29	98.2041.00 98.2042.00	Tappo G 1/4"x9 Tappo G 1/4"x9 - NK	1
30	90.3585.00	OR D. 10.82x1.78 NBR 70SH 2043 279-280	1
31	10.0795.66 10.0798.66	Ugello per iniettore D. 2.0 Ugello per iniettore D. 2.2	1
32	94.8217.00	Molla Dm. 4.3/7.3x11.0	279-280 1
33	97.4782.00	Sfera D. 7/32"	279-280 1

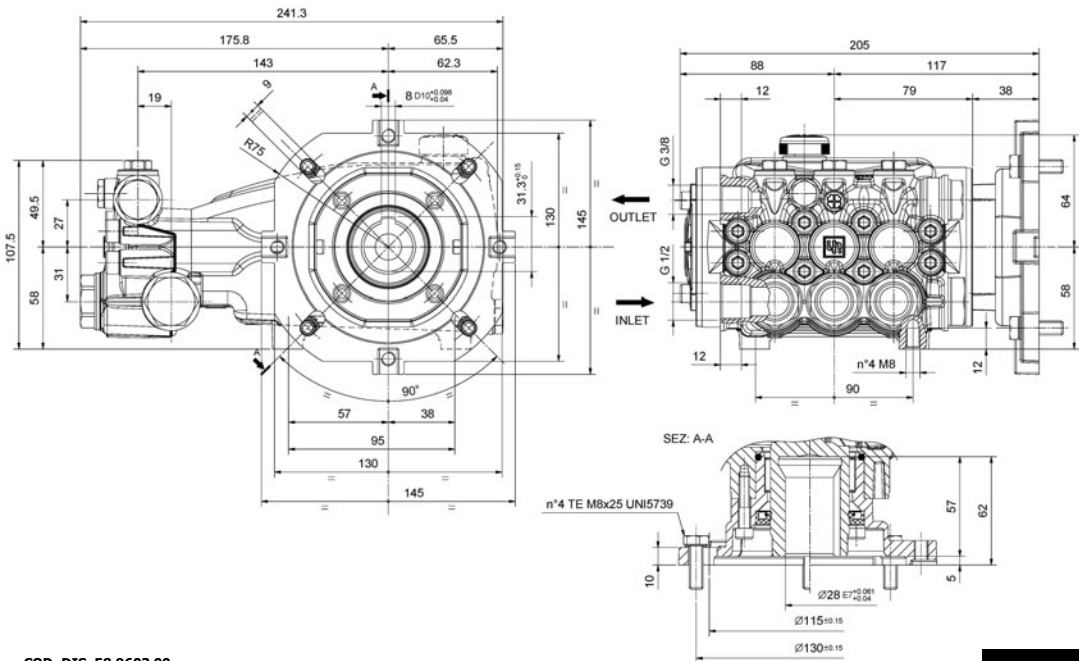
POS	COD.	DESCRIZIONE – DESCRIPTION - KIT	NR
34	90.3573.00	OR D. 5.28x1.78 NBR 70SH 2021 279-280	2
35	36.3482.70	Sede valvola detergente	279 1
36	97.6615.00	Spina elastica D. 2.0x12.0	279 1
37	94.7334.00	Molla Dm. 6.4x12.5	279 1
38	36.3484.51	Pomolo detergente rosso	279 1
39	36.3342.70	Otturatore con portagomma	279 1
40	36.3492.70	Portagomma	280 1
47	36.6054.01	Frutto valvola con sede	278 1
<b>OPTIONALS</b>			
41	90.3841.00	OR D. 17.13x2.62 NBR 70SH 3068	1
42	36.3182.51	Nipplo aspirazione G 3/4"	1
43	92.8925.00	Filtro D. 12.0x35.0	1
44	90.3828.00	OR D. 12.37x2.62 NBR 70SH 3050	1
45	36.2569.51	Portagomma aspirazione	1
46	92.9828.00	Ghiera G 3/4" – D. 15	1

## KIT RICAMBI – SPARE KITS

KIT NR.	KIT 278	KIT 279	KIT 280
<b>Posizioni include Positions included</b>	<b>23 - 24 25 - 26 27 - 47</b>	<b>30 - 32 33 - 34 35 - 36 37 - 38 39</b>	<b>30 - 32 33 - 34 40</b>
<b>Nr. Pcs.</b>	-	-	-

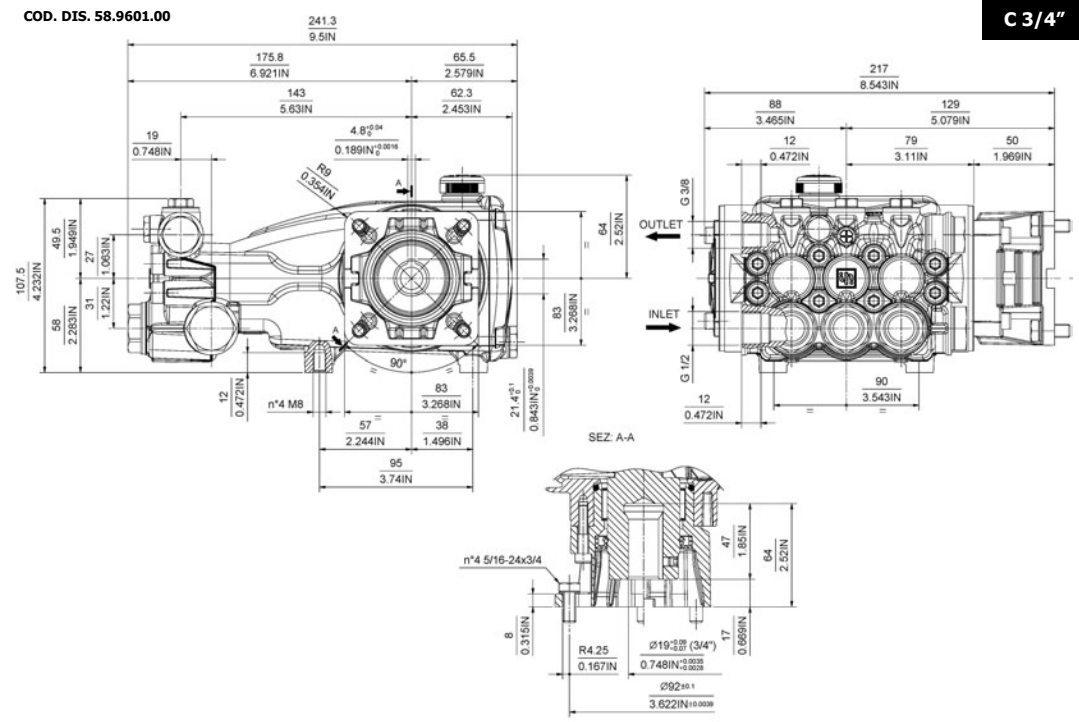


**DIMENSIONI D'INGOMBRO – OVERALL DIMENSIONS – DIMENSIONS D'ENCOMBREMENT  
RAUMBEDARF – DIMENSIONES TOTALES – DIMENSÕES**



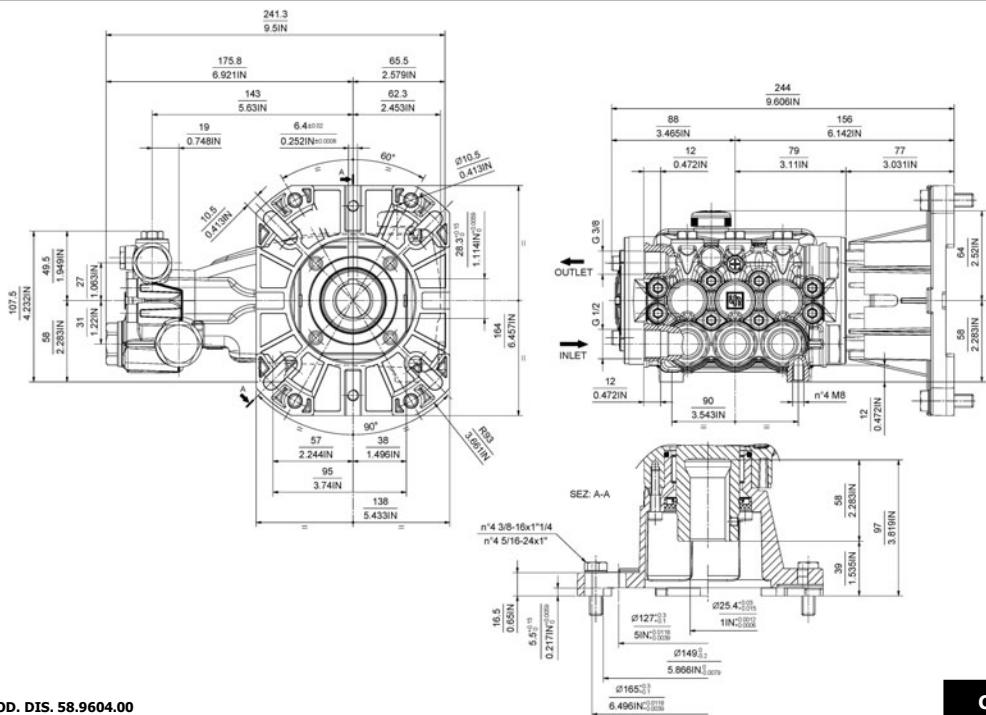
**COD. DIS. 58.9603.00**

**B  
C 3/4"**



**COD. DIS. 58.9601.00**

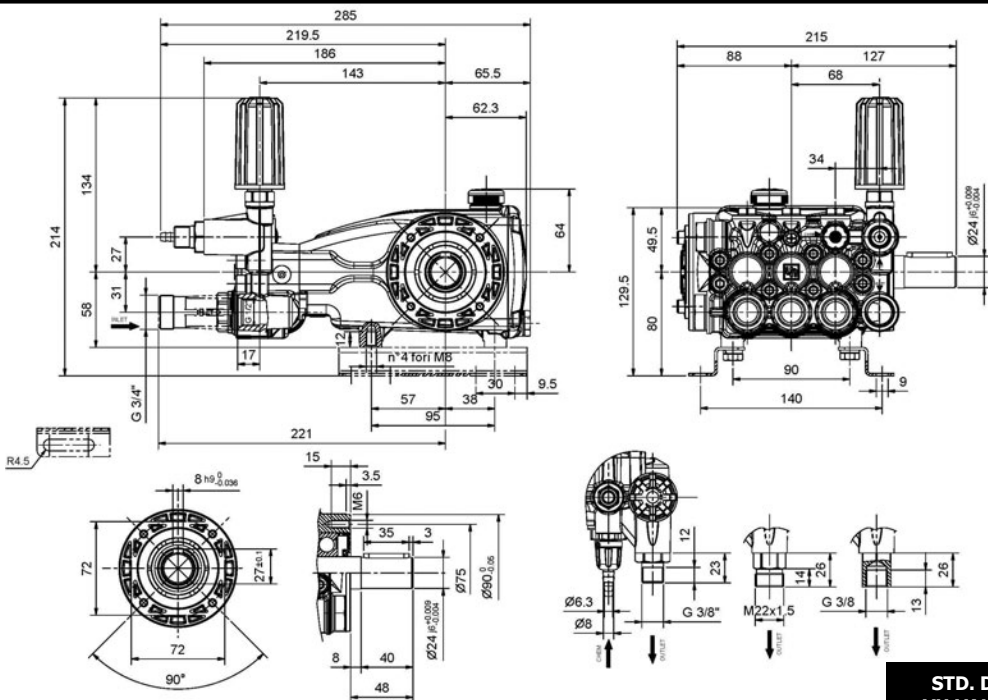
**DIMENSIONI D'INGOMBRO – OVERALL DIMENSIONS – DIMENSIONS D'ENCOMBREMENT  
RAUMBEDARF – DIMENSIONES TOTALES – DIMENSÕES**



COD. DIS. 58.9604.00

**C1''**

**DIMENSIONI D'INGOMBRO – OVERALL DIMENSIONS – DIMENSIONS D'ENCOMBREMENT  
RAUMBEDARF – DIMENSIONES TOTALES – DIMENSÕES**

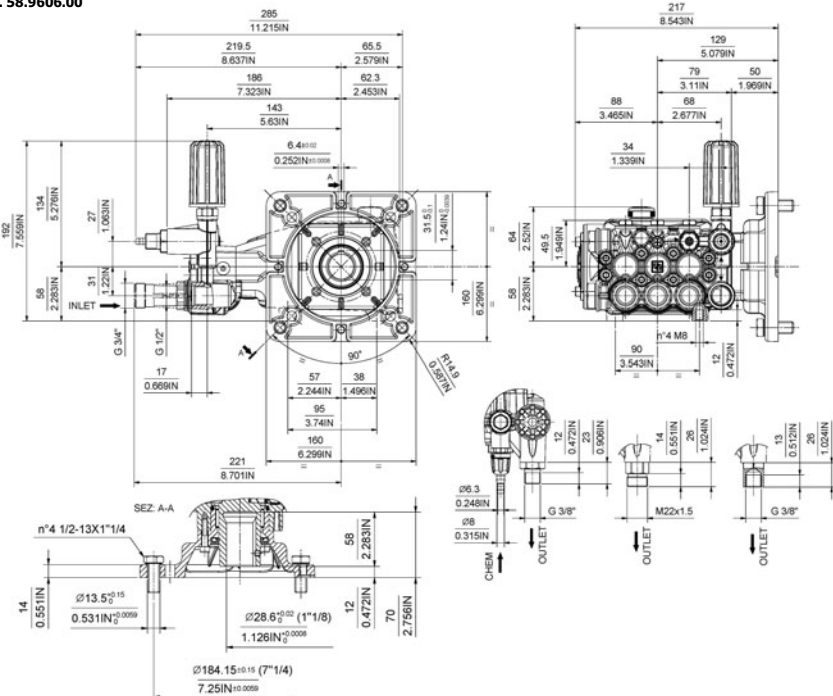


COD. DIS. 58.9605.00

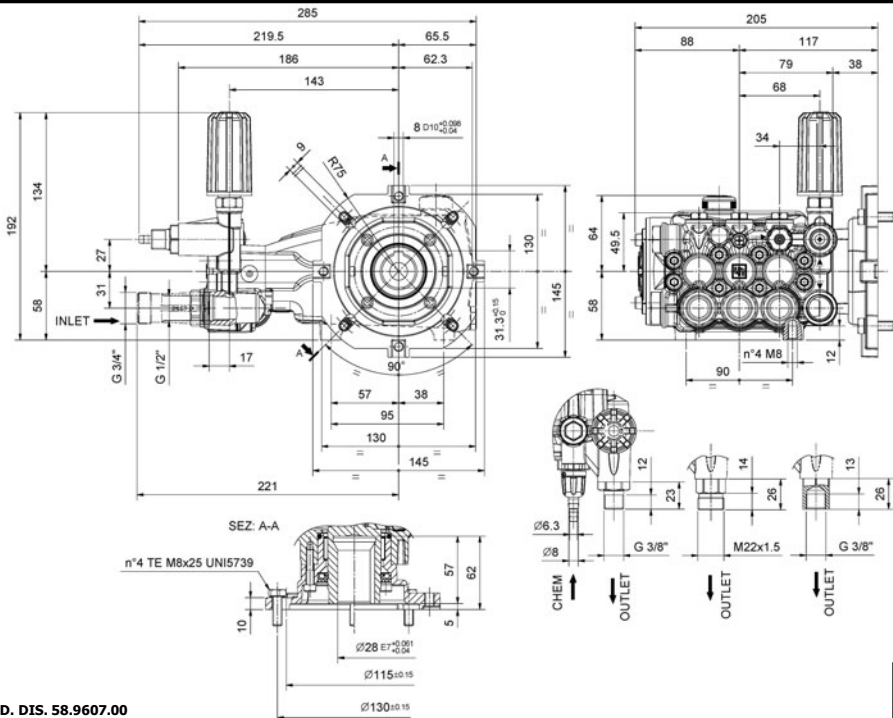
COD. DIS. 58.9606.00

**STD. DX  
VH VALVE**

**A – DX  
VH VALVE**

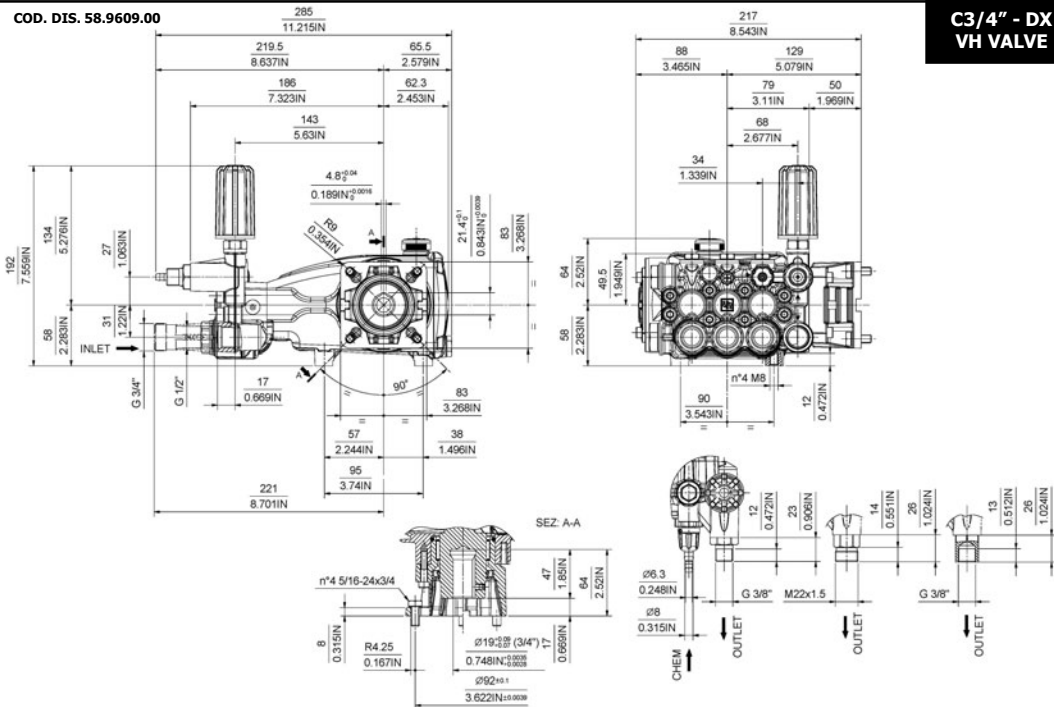


**DIMENSIONI D'INGOMBRO – OVERALL DIMENSIONS – DIMENSIONS D'ENCOMBREMENT  
RAUMBEDARF – DIMENSIONES TOTALES – DIMENSÕES**

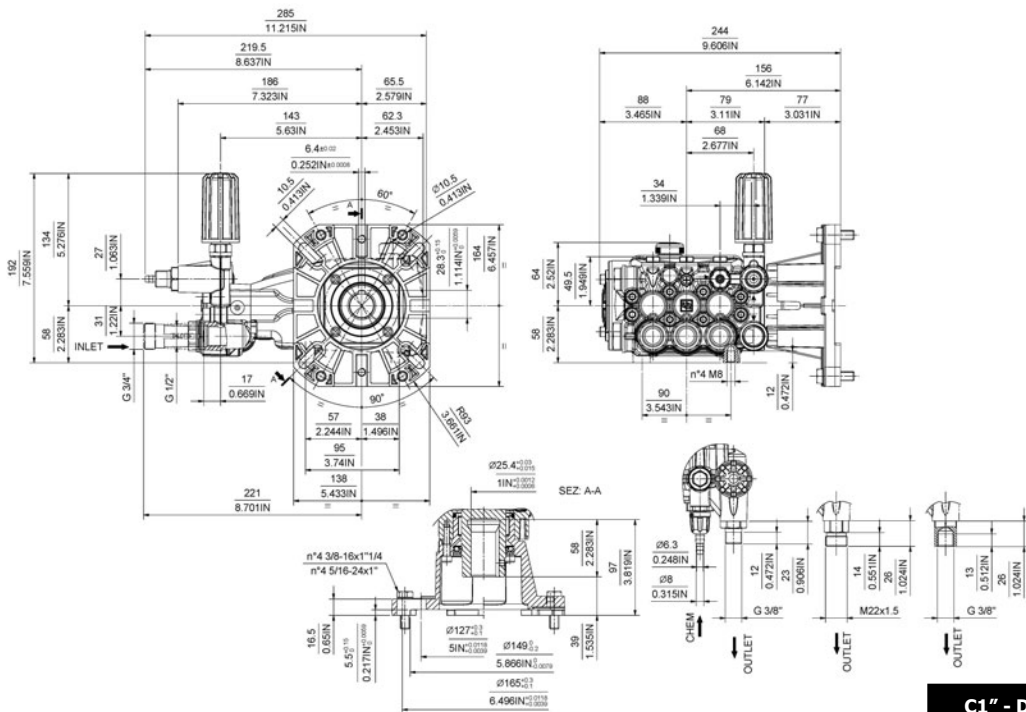


**B - DX  
VH VALVE**

**C3/4" - DX  
VH VALVE**



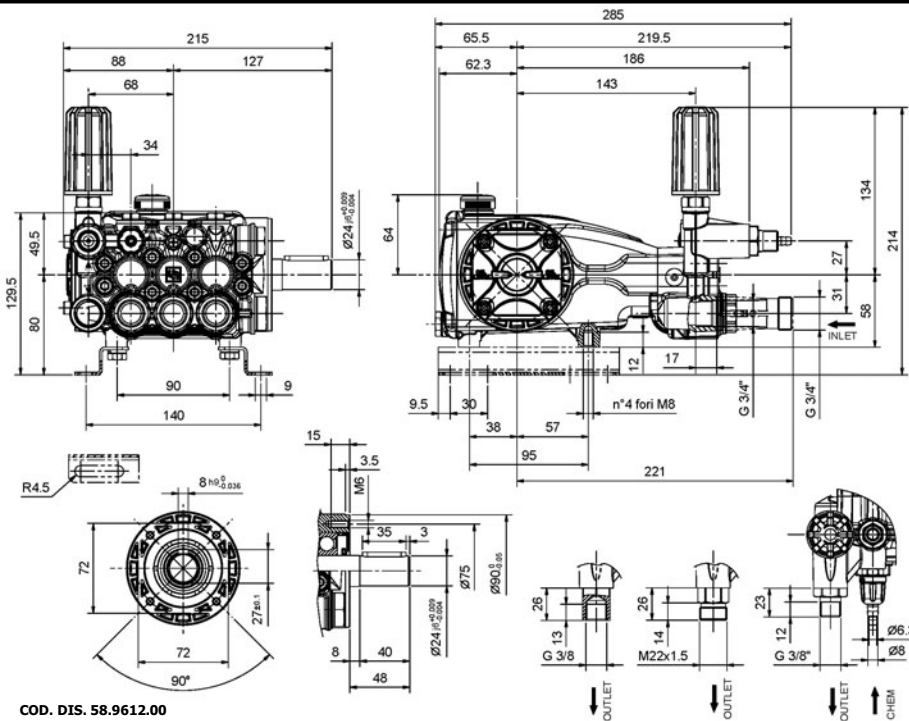
**DIMENSIONI D'INGOMBRO – OVERALL DIMENSIONS – DIMENSIONS D'ENCOMBREMENT  
RAUMBEDARF – DIMENSIONES TOTALES – DIMENSÕES**



COD. DIS. 58.9608.00

**C11 - DX  
VH VALVE**

**DIMENSIONI D'INGOMBRO – OVERALL DIMENSIONS – DIMENSIONS D'ENCOMBREMENT  
RAUMBEDARF – DIMENSIONES TOTALES – DIMENSÕES**

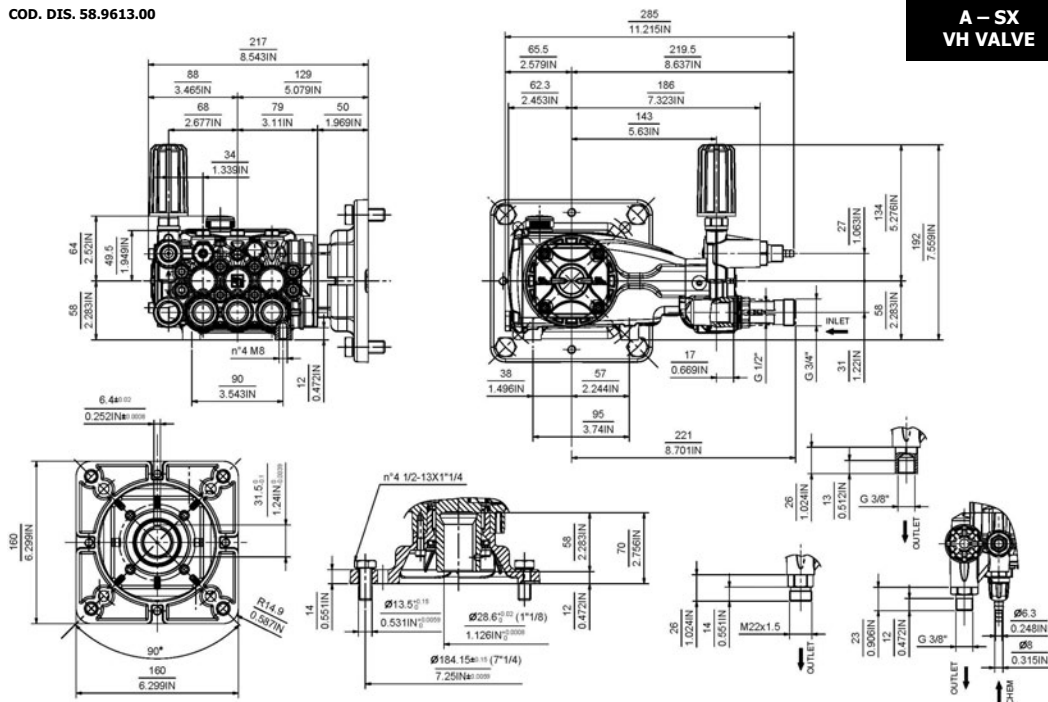


COD. DIS. 58.9612.00

**STD. SX  
VH VALVE**

COD. DIS. 58.9613.00

**A – SX  
VH VALVE**

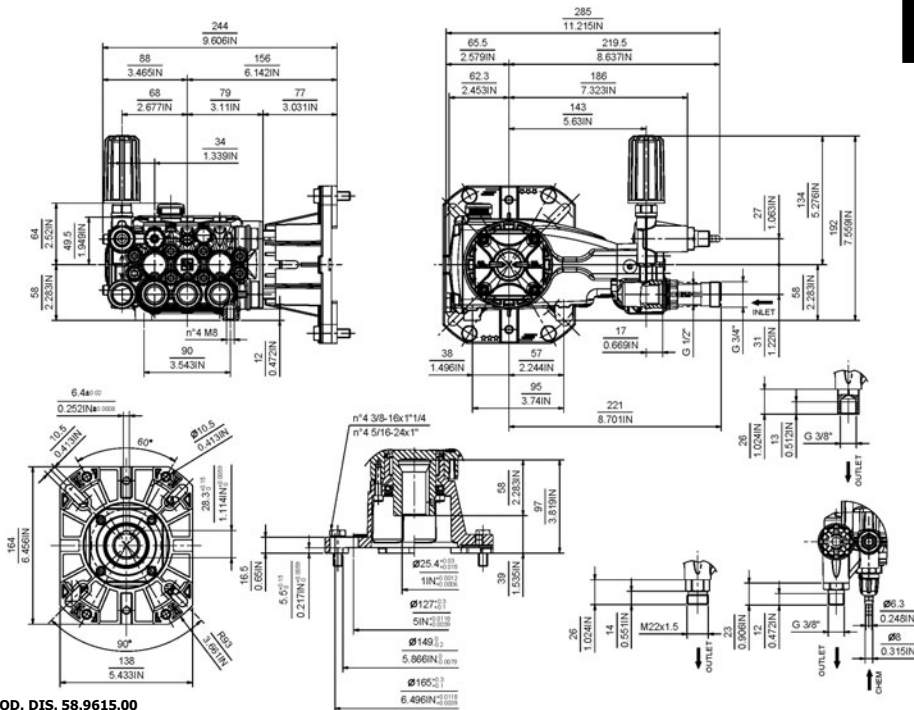






**DIMENSIONI D'INGOMBRO – OVERALL DIMENSIONS – DIMENSIONS D'ENCOMBREMENT  
RAUMBEDARF – DIMENSIONES TOTALES – DIMENSÕES**

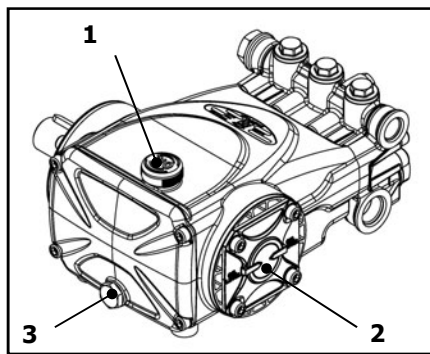
**C1" - SX  
VH VALVE**



**COD. DIS. 58.9615.00**

## 1 - CAMBIO OLIO

- 1.1 – Il cambio dell’olio va eseguito con pompa a temperatura di lavoro.
- 1.2 – Posizionare un recipiente sotto il tappo di scarico olio (3).
- 1.3 – Rimuovere il tappo con asta (1) e successivamente il tappo di scarico (3).
- 1.4 – Attendere fino a quando tutto l’olio è uscito, quindi riavvitare il tappo di scarico (3) con la coppia torcente indicata su disegno esploso.
- 1.5 – Riempire con olio nuovo fino al raggiungimento della mezzeria del tappo spia livello olio (2) e riavvitare il tappo con asta (1) .



**Per il tipo di olio da utilizzare fare riferimento a quanto indicato sul libretto generico.**



**ATTENZIONE: L’olio esausto deve essere raccolto in recipienti e smaltito negli appositi centri in accordo alla normativa vigente. Non deve essere assolutamente disperso nell’ambiente.**

## 1 – OIL CHANGING

- 1.1 – Oil changing must be done with the pump at operating temperature.
- 1.2 – Put a container under the oil drain plug (3).
- 1.3 – Remove the oil dipstick (1) and then the drain plug (3).
- 1.4 – Wait until all the oil has drained out, then screw the drain plug (3) and tighten at the torque shown in the exploded diagram.
- 1.5 – Fill with new oil until the middle of the oil level indicator (2) is reached, screw by hand the oil dipstick (1).

**Refer to the generic booklet for the type of oil to use.**



**WARNING: The exhaust oil must be collected in receptacles and disposed of at authorised centres as specified by law. It must not be thrown away in the environment.**

## 1 - CHANGEMENT DE L’HUILE

- 1.1 – Le changement de l’huile doit être exécuté avec la pompe à température d’exercice.
- 1.2 – Placer un récipient sous le bouchon de vidange de l’huile (3).
- 1.3 – Enlever le bouchon-jauge (1), puis enlever le bouchon de vidange (3).
- 1.4 – Attendre que toute l’huile soit sortie, puis revisser le bouchon de vidange (3) avec le couple de torsion qui est indiqué sur le dessin éclaté.
- 1.5 – Remplir avec de l’huile neuve jusqu’à la ligne médiane du bouchon indicateur du niveau d’huile (2), et revisser le bouchon-jauge (1).

**Pour le type d’huile à utiliser, se référer à ce qui est indiqué sur la notice générale.**



**ATTENTION : L’huile usée doit être recueillie dans des récipients et éliminée dans les centres prévus à cet effet, conformément à la réglementation en vigueur. Il ne faut absolument pas la jeter dans l’environnement.**

## 1 - ÖLWECHSEL

1.1 – Beim Ölwechsel muss die Pumpe Betriebstemperatur aufweisen.

1.2 – Unter den Ölablassverschluss (3) einen Behälter stellen.

1.3 – Den Verschluss mit dem Stab (1) und danach den Ablassverschluss (3) abnehmen.

1.4 – Warten, bis das gesamte Öl abgelassen ist und den Ablassverschluss (3) mit dem auf der Übersichtszeichnung angegebenen Drehmoment wieder anschrauben.

1.5 – Mit frischem Öl füllen, bis die Mittellinie des Ölstandkontrollverschlusses (2) erreicht ist und den Verschluss mit dem Stab (1) wieder anschrauben.

**Bezüglich der verwendbaren Ölsorten siehe die Angaben im allgemeinen Handbuch.**



**ACHTUNG: Das Altöl muss in Behältern gesammelt und gemäß den geltenden Vorschriften bei den hierfür vorgesehenen Zentren entsorgt werden. Es darf keinesfalls umweltschädigend entsorgt werden.**

---

## 1 - CAMBIO DE ACEITE

1.1 – El cambio de aceite se efectúa con bomba a temperatura de trabajo.

1.2 – Colocar un recipiente debajo del tapón de descarga de aceite (3).

1.3 – Extraer el tapón con varilla (1) y seguidamente el tapón de descarga (3).

1.4 – Esperar hasta que haya salido todo el aceite, volver a enroscar el tapón de descarga (3) con el par de torsión indicado en el despiece.

1.5 – Llenar con aceite nuevo hasta alcanzar la línea media del tapón indicador de nivel de aceite (2) y volver a enroscar el tapón con varilla (1).

**Para el tipo de aceite que debe utilizarse, remitirse a las indicaciones del manual general.**



**ATENCIÓN: El aceite residual debe recogerse en recipientes y eliminarse en los centros pertinentes de acuerdo con la normativa vigente. En ningún caso debe dispersarse en el ambiente.**

---

## 1 - TROCA DE ÓLEO

1.1 – A troca de óleo deve ser feita com a bomba na temperatura de trabalho.

1.2 – Posicionar um recipiente embaixo da tampa de descarga de óleo (3).

1.3 – Remover a tampa com o pino (1) e, em seguida, a tampa de descarga (3).

1.4 – Esperar que todo o óleo saia, recolocar a tampa de descarga (3) com o binário de torção indicado no desenho explodido.

1.5 – Encher com o óleo novo até chegar na linha da tampa de controle do nível do óleo (2) e recolocar a tampa com o pino (1).

**Para o tipo de óleo a ser utilizado, consultar as indicações do livro genérico.**



**ATENÇÃO: O óleo consumido deve ser coletado em recipientes e eliminado nos locais adequados, de acordo com a normativa vigente. Não deve, de modo algum, ser jogado no ambiente.**

# DICHIARAZIONE DI INCORPORAZIONE

(Ai sensi dell'allegato II della Direttiva Europea 2006/42/CE)

Il produttore **INTERPUMP GROUP S.p.A. – Via E. Fermi, 25 – 42049 S.ILARIO D'ENZA (RE) - Italia**  
**DICHIARA** sotto la propria esclusiva responsabilità che l'attrezzatura identificata e descritta come segue :

Denominazione : POMPA  
Tipo : Pompa alternativa a pistoni per acqua ad alta pressione  
Marchio di fabbrica : INTERPUMP GROUP  
Modelli : E2B1618 - E2B2008 - E2B2808 - E2B2010 - E2B1711 - E2B1712 - E2B1713 - E2B2014  
E2B2015 - E2C2109 - E2C2809 - E2C2111 - E2C2112 - E2C1713 - E2C1714 - E2C1715  
E2C2016 - E2D2010 - E2D2810 - E2D2011 - E2D2811 - E2D2812 - E2D2013 - E2D2813  
E2D2015 - E2D2016 - E2E2108 - E2E2808 - E2E2810 - E2E2111 - E2E2811 - E2E2812  
E2E2113 - E2E2813 - E2E2114 - E2E2815 - E2E2116

Risulta essere conforme alle sotto elencate direttive e successivi aggiornamenti :

- Direttiva Macchine 2006/42/CE
- Direttiva sulla restrizione dell'uso di determinate sostanze pericolose nelle apparecchiature elettriche ed elettroniche 2011/65/UE - RoHS

L'attrezzatura non contiene sostanze con restrizioni d'uso in concentrazione maggiore di quelle elencate nell'allegato II ad eccezione delle applicazioni esentate dalle restrizioni elencate nell'allegato III.

Norme applicate : UNI EN ISO 12100:2010 - UNI EN 809:2000

La pompa sopra identificata rispetta i seguenti requisiti essenziali di sicurezza e di tutela della salute elencati nel punto 1 dell'allegato I della Direttiva Macchine :

1.1.2 - 1.1.3 - 1.1.5 - 1.3.1 - 1.3.2 - 1.3.3 - 1.3.4 - 1.5.4 - 1.5.5 - 1.6.1 - 1.7.1 - 1.7.2 - 1.7.4 - 1.7.4.1 - 1.7.4.2  
e la relativa documentazione tecnica è stata compilata in conformità dell'allegato VII B.

Inoltre il produttore si impegna a rendere disponibile, a seguito di una richiesta adeguatamente motivata, copia della documentazione tecnica pertinente la pompa nei modi e nei termini da definire.

La pompa non deve essere messa in servizio finché l'impianto al quale la pompa deve essere incorporata è stato dichiarato conforme alle disposizioni delle relative direttive e/o norme.

Persona autorizzata a costituire il fascicolo tecnico : Nome: Maurizio Novelli

Indirizzo: INTERPUMP GROUP S.p.A. – Via E. Fermi, 25 – 42049 S. ILARIO D'ENZA (RE) – Italia

Il responsabile

Firma : Ing. Massimiliano Bizzarri

Reggio Emilia, Aprile/2018



# DECLARATION OF INCORPORATION

(In accordance with Annex II of European Directive 2006/42/CE)

The manufacturer **INTERPUMP GROUP S.p.A. – Via E. Fermi, 25 – 42049 S.ILARIO D'ENZA (RE) - Italy** **DECLARES** under sole responsibility that the equipment identified and described as follows :

Name : PUMP  
Type : Reciprocating plunger pump for high pressure water  
Trademark : INTERPUMP GROUP  
Models : E2B1618 - E2B2008 - E2B2808 - E2B2010 - E2B1711 - E2B1712 - E2B1713 - E2B2014 - E2B2015  
E2C2109 - E2C2809 - E2C2111 - E2C2112 - E2C1713 - E2C1714 - E2C1715 - E2C2016 - E2D2010  
E2D2810 - E2D2011 - E2D2811 - E2D2812 - E2D2013 - E2D2813 - E2D2015 - E2D2016 - E2E2108  
E2E2808 - E2E2810 - E2E2111 - E2E2811 - E2E2812 - E2E2113 - E2E2813 - E2E2114 - E2E2815  
E2E2116

Complies with the requirements of the directives listed below and subsequent updates :

- Machinery Directive 2006/42/CE
- Directive 2011/65/EU – RoHS on the restriction of the use of certain hazardous substances in electrical and electronic equipment.

The equipment does not contain more than the specified concentrations of restricted substances listed in Annex II except for the applications exempted from the restriction listed in Annex III.

Standards applied : UNI EN ISO 12100:2010 - UNI EN 809:2000

The pump identified above meets all the essential safety and health protection requirements as listed in section 1 of Annex I of the Machinery Directive :

1.1.2 - 1.1.3 - 1.1.5 - 1.3.1 - 1.3.2 - 1.3.3 - 1.3.4 - 1.5.4 - 1.5.5 - 1.6.1 - 1.7.1 - 1.7.2 - 1.7.4 - 1.7.4.1 - 1.7.4.2  
and the relevant technical documentation has been compiled in accordance with Annex VII B.

In addition, the manufacturer undertakes to make available, following a reasoned request, a copy of the relevant technical pump documentation in the manner and terms to be defined.

The pump should not be put into service until the plant to which the pump is to be incorporated has been declared in accordance with the provisions of the relevant directives and/or standards.

Person authorised to compile the technical file :

Name: Maurizio Novelli

Address: INTERPUMP GROUP S.p.A. – Via E. Fermi, 25 – 42049 S. ILARIO D'ENZA (RE) – Italy

Manager

Signature : Ing. Massimiliano Bizzarri

Reggio Emilia, April/2018



# DÉCLARATION D'INCORPORATION

(Conformément à l'annexe II de la Directive Européenne 2006/42/CE)

Le fabricant **INTERPUMP GROUP S.p.A. – Via E. Fermi, 25 – 42049 S.ILARIO D'ENZA (RE) - Italie**  
**DÉCLARE** sous sa seule responsabilité que l'équipement identifié et décrit comme suit :

Description : POMPE  
Type : Pompe alternative à pistons pour eau à haute pression  
Marque de fabrique : INTERPUMP GROUP  
Modèle : E2B1618 - E2B2008 - E2B2808 - E2B2010 - E2B1711 - E2B1712 - E2B1713 - E2B2014  
E2B2015 - E2C2109 - E2C2809 - E2C2111 - E2C2112 - E2C1713 - E2C1714 - E2C1715  
E2C2016 - E2D2010 - E2D2810 - E2D2011 - E2D2811 - E2D2812 - E2D2013 - E2D2813  
E2D2015 - E2D2016 - E2E2108 - E2E2808 - E2E2810 - E2E2111 - E2E2811 - E2E2812  
E2E2113 - E2E2813 - E2E2114 - E2E2815 - E2E2116

Est conforme aux spécifications des directives énumérées ci-dessous et mises à jour suivantes:

- Directive Machines 2006/42/CE
- Directive relative à la limitation de l'utilisation de certaines substances dangereuses dans les équipements électriques et électroniques 2011/65/UE – RoHS

L'équipement ne contient pas de substances assorties de restrictions concernant l'utilisation en concentration plus élevée que celles énumérées à l'annexe II, sauf pour des applications exemptées des restrictions énumérées à l'annexe III.

Normes appliquées : UNI EN ISO 12100:2010 - UNI EN 809:2000

La pompe identifiée ci-dessus répond aux exigences essentielles de sécurité et protection de la santé suivantes énumérées au point 1 de l'annexe I de la Directive Machines :

1.1.2 - 1.1.3 - 1.1.5 - 1.3.1 - 1.3.2 - 1.3.3 - 1.3.4 - 1.5.4 - 1.5.5 - 1.6.1 - 1.7.1 - 1.7.2 - 1.7.4 - 1.7.4.1 - 1.7.4.2  
et la documentation technique pertinente est constituée conformément à l'annexe VII B.

De plus, le fabricant s'engage à rendre disponible, suite à une demande adéquatement motivée, une copie de la documentation technique relative à la pompe dans les modes et les termes à définir.

La pompe ne doit pas être mise en marche tant que l'installation à laquelle la pompe doit être incorporée n'a pas été déclarée conforme aux dispositions des directives et / ou normes relatives.

Personne autorisée à réaliser le manuel technique : Nom : Maurizio Novelli

Adresse: INTERPUMP GROUP S.p.A. – Via E. Fermi, 25 – 42049 S. ILARIO D'ENZA (RE) – Italie

Le responsable

Signature : Ing. Massimiliano Bizzarri

Reggio Emilia, Avril/2018



# EINBAUERKLÄRUNG

(gemäß Anhang II der Europäischen Richtlinie 2006/42/EG)

Der Hersteller **INTERPUMP GROUP S.p.A. – Via E. Fermi, 25 – 42049 S.ILARIO D'ENZA (RE) - Italien** **ERKLÄRT** auf alleinige Verantwortung, dass das wie folgt bezeichnete und beschriebene Gerät :

Bezeichnung : PUMPE  
Typ : Kolbenpumpe für Hochdruck-Wasser  
Herstellermarke : INTERPUMP GROUP  
Modell : E2B1618 - E2B2008 - E2B2808 - E2B2010 - E2B1711 - E2B1712 - E2B1713 - E2B2014  
E2B2015 - E2C2109 - E2C2809 - E2C2111 - E2C2112 - E2C1713 - E2C1714 - E2C1715  
E2C2016 - E2D2010 - E2D2810 - E2D2011 - E2D2811 - E2D2812 - E2D2013 - E2D2813  
E2D2015 - E2D2016 - E2E2108 - E2E2808 - E2E2810 - E2E2111 - E2E2811 - E2E2812  
E2E2113 - E2E2813 - E2E2114 - E2E2815 - E2E2116

mit den nachstehend aufgelisteten Richtlinien und ihren nachfolgenden Aktualisierungen konform ist :  
- Maschinenrichtlinie 2006/42/EG  
- Richtlinie zur Beschränkung der Verwendung bestimmter gefährlicher Stoffe in Elektro- und Elektronikgeräten 2011/65/EU – RoHS

Das Gerät enthält keine Stoffe, für die Beschränkungen bezüglich ihrer Verwendung in Konzentrationen bestehen, die über denen im Anhang II liegen, mit Ausnahme von Anwendungen, die von den im Anhang II aufgeführten Beschränkungen ausgenommen sind.

Angewandte Normen : UNI EN ISO 12100:2010 - UNI EN 809:2000

Die oben genannte Pumpe genügt den folgenden grundlegenden Sicherheits- und Gesundheitsschutzanforderungen, die unter Punkt 1 des Anhangs I der Maschinenrichtlinie aufgeführt sind.  
1.1.2 - 1.1.3 - 1.1.5 - 1.3.1 - 1.3.2 - 1.3.3 - 1.3.4 - 1.5.4 - 1.5.5 - 1.6.1 - 1.7.1 - 1.7.2 - 1.7.4 - 1.7.4.1 - 1.7.4.2  
Die speziellen technischen Unterlagen wurden gemäß Anhang VII Teil B erstellt.

Darüber hinaus verpflichtet sich der Hersteller einzelstaatlichen Stellen auf begründetes Verlangen die speziellen technischen Unterlagen zur Pumpe in festzulegenden Modalitäten und Fristen zu übermitteln.

Die Pumpe darf erst dann in Betrieb genommen werden, wenn gegebenenfalls festgestellt wurde, dass die Maschine, in die die Pumpe eingebaut werden soll, den Bestimmungen der entsprechenden Richtlinien und/oder Normen entspricht .


Person, die bevollmächtigt ist, die relevanten technischen Unterlagen zusammenzustellen: Maurizio Novelli

Adresse: INTERPUMP GROUP S.p.A. – Via E. Fermi, 25 – 42049 S. ILARIO D'ENZA (RE) – Italien

Der Geschäftsführer

Unterschrift : Ing. Massimiliano Bizzarri

Reggio Emilia, April/2018





# DECLARACIÓN DE INCORPORACIÓN

(De acuerdo con el anexo II de la Directiva Europea 2006/42/CE)

El fabricante **INTERPUMP GROUP S.p.A. – Via E. Fermi, 25 – 42049 S.ILARIO D'ENZA (RE) – Italia** **DECLARA** bajo su propia y exclusiva responsabilidad al aparato identificado y descrito del siguiente modo :

Denominación : BOMBA  
Tipo : Bomba alternativa con pistones para agua de alta presión  
Marca de fábrica : INTERPUMP GROUP  
Modelo : E2B1618 - E2B2008 - E2B2808 - E2B2010 - E2B1711 - E2B1712 - E2B1713 - E2B2014  
E2B2015 - E2C2109 - E2C2809 - E2C2111 - E2C2112 - E2C1713 - E2C1714 - E2C1715  
E2C2016 - E2D2010 - E2D2810 - E2D2011 - E2D2811 - E2D2812 - E2D2013 - E2D2813  
E2D2015 - E2D2016 - E2E2108 - E2E2808 - E2E2810 - E2E2111 - E2E2811 - E2E2812  
E2E2113 - E2E2813 - E2E2114 - E2E2815 - E2E2116

Resulta ser conforme con las directivas que se indican a continuación y con sus sucesivas actualizaciones:  
- Directiva de Máquinas 2006/42/CE  
- Directiva acerca de la restricción del uso de determinadas sustancias peligrosas en máquinas eléctricas y electrónicas 2011/65/UE – RoHS

El aparato no contiene sustancias con restricción de uso en concentración mayor de aquellas citadas en el anexo II, exceptuando las aplicaciones exentas de las restricciones citadas en el anexo III.

Normas aplicadas : UNI EN ISO 12100:2010 - UNI EN 809:2000

La bomba identificada anteriormente respeta los siguientes requisitos esenciales de seguridad y de protección de la salud citados en el punto 1 del anexo I de la Directiva de Máquina :

1.1.2 - 1.1.3 - 1.1.5 - 1.3.1 - 1.3.2 - 1.3.3 - 1.3.4 - 1.5.4 - 1.5.5 - 1.6.1 - 1.7.1 - 1.7.2 - 1.7.4 - 1.7.4.1 - 1.7.4.2 y la correspondiente documentación técnica ha sido compilada de acuerdo con el anexo VII B.

Además el fabricante se compromete en hacer disponible, después haberse llevado a cabo una solicitud adecuadamente motivada, una copia de la documentación técnica pertinente de la bomba en una modalidad y en un plazo aún por definir.

La bomba no debe ser puesta en funcionamiento, hasta que el sistema al cuál la bomba debe ser incorporada, haya sido declarado conforme a las disposiciones de las respectivas directivas y/o normativas.

Persona autorizada a realizar el fascículo técnico : Nombre: Maurizio Novelli

Dirección: INTERPUMP GROUP S.p.A. – Via E. Fermi, 25 – 42049 S. ILARIO D'ENZA (RE) – Italia

El responsable

Firma : Ing. Massimiliano Bizzarri

Reggio Emilia, Abril/2018



# DECLARAÇÃO DE INCORPORAÇÃO

(Nos termos do anexo II da Directiva Europeia 2006/42/CE)

O fabricante **INTERPUMP GROUP S.p.A. – Via E. Fermi, 25 – 42049 S.ILARIO D'ENZA (RE) - Itália** **DECLARA** sob a sua exclusiva responsabilidade que os equipamentos identificados e descritos tal como se segue :

Denominação : BOMBA  
Tipo : Bomba alternativa com pistões para água a alta pressão  
Marca de fábrica : INTERPUMP GROUP  
Modelo : E2B1618 - E2B2008 - E2B2808 - E2B2010 - E2B1711 - E2B1712 - E2B1713 - E2B2014  
E2B2015 - E2C2109 - E2C2809 - E2C2111 - E2C2112 - E2C1713 - E2C1714 - E2C1715  
E2C2016 - E2D2010 - E2D2810 - E2D2011 - E2D2811 - E2D2812 - E2D2013 - E2D2813  
E2D2015 - E2D2016 - E2E2108 - E2E2808 - E2E2810 - E2E2111 - E2E2811 - E2E2812  
E2E2113 - E2E2813 - E2E2114 - E2E2815 - E2E2116

Está em conformidade às directivas abaixo indicadas e posteriores actualizações :

- Directiva Máquinas 2006/42/CE
- Directiva sobre a restrição de uso de determinadas substâncias perigosas em aparelhos eléctricos e electrónicos 2011/65/UE – RoHS

O equipamento não contém substâncias com restrições de uso em concentração superior às indicadas no anexo II, á excepção das aplicações isentas das restrições indicadas no anexo III.

Normas aplicadas : UNI EN ISO 12100:2010 - UNI EN 809:2000

A bomba acima identificada respeita os seguintes requisitos essenciais de segurança e de tutela da saúde, referidos no ponto 1 do anexo I da Directiva Máquinas :

1.1.2 - 1.1.3 - 1.1.5 - 1.3.1 - 1.3.2 - 1.3.3 - 1.3.4 - 1.5.4 - 1.5.5 - 1.6.1 - 1.7.1 - 1.7.2 - 1.7.4 - 1.7.4.1 - 1.7.4.2 e a respectiva documentação técnica foi compilada em conformidade com o anexo VII B.

Além disso, o fabricante compromete-se a disponibilizar, mediante pedido adequadamente motivado, uma cópia da documentação técnica referente à bomba, em modos e termos a definir.

A bomba não deve ser colocada em funcionamento até que o sistema no qual tem de ser incorporada seja declarado em conformidade com as disposições das respectivas directivas e/ou normas.

Pessoa autorizada a compilar a documentação técnica : Nome: Maurizio Novelli

Morada: INTERPUMP GROUP S.p.A. – Via E. Fermi, 25 – 42049 S. ILARIO D'ENZA (RE) – Itália

O responsável

Assinatura : Ing. Massimiliano Bizzarri

Reggio Emilia, Abril/2018





**COPYRIGHT** Il contenuto di questo libretto è di proprietà di INTERPUMP GROUP, ne è vietata la riproduzione e/o la divulgazione, anche parziale, a termini di legge.

**COPYRIGHT** The contents of this booklet are the property of INTERPUMP GROUP. Reproduction and divulgation, in whole or in part, are prohibited by law.

**COPYRIGHT** Le contenu de cette notice appartient à INTERPUMP GROUP : aux termes de la loi il est interdit de le reproduire et/ou de le divulguer, même partiellement.

**COPYRIGHT** Der Inhalt dieser Bedienungsanleitung ist Eigentum von INTERPUMP GROUP. Die auch nur teilweise Reproduktion und/oder Verbreitung ist gesetzlich verboten.

**COPYRIGHT** El contenido del presente manual es propiedad de INTERPUMP GROUP y está legalmente prohibida su reproducción y/o divulgación parcial o total.

**COPYRIGHT** O conteúdo deste livro é de propriedade da INTERPUMP GROUP, e é proibida a sua reprodução e/ou a sua divulgação, mesmo parcial, nos termos da lei.

---

**Le informazioni presenti su questo documento possono essere variate senza preavviso.**

**The information contained in this document may change without notice.**

**Les informations présentes sur ce document peuvent être changées sans besoin de préavis.**

**Die in diesem Dokument enthaltenen Informationen können ohne Vorankündigung geändert werden.**

**La información contenida en el presente documento puede modificarse sin previo aviso.**

**As informações contidas neste documento poderão ser sujeitas a alterações sem aviso prévio.**

---



**INTERPUMP  
GROUP**

**AZIENDA CON SISTEMA  
DI GESTIONE QUALITÀ  
CERTIFICATO DA DNV GL  
= ISO 9001 =**

VIA FERMI, 25 42049 S.ILARIO – REGGIO EMILIA (ITALY)  
TEL.+39 – 0522 - 904311 TELEFAX +39 – 0522 – 904444  
E-mail: [info@interpumpgroup.it](mailto:info@interpumpgroup.it) - <http://www.interpumpgroup.it>