



EQUIPAGGIAMENTI
TECNICI
LAVAGGIO

RUBINETTO IN OTTONE CON GALLEGGIANTE
BRASS FLOAT VALVE
RG60 (29.0280.00-29.0280.20)

(I)

(GB)

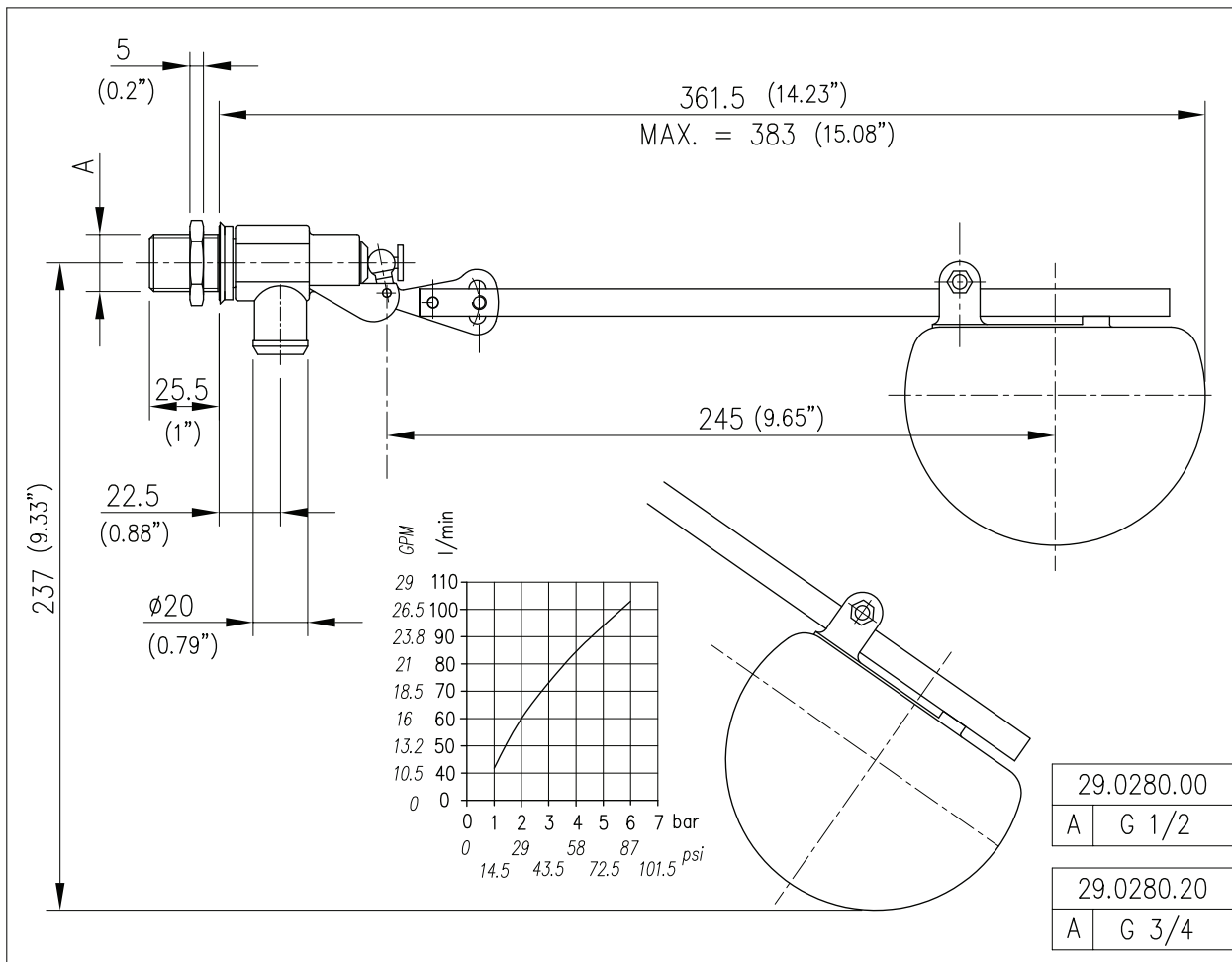
8

29/09/05

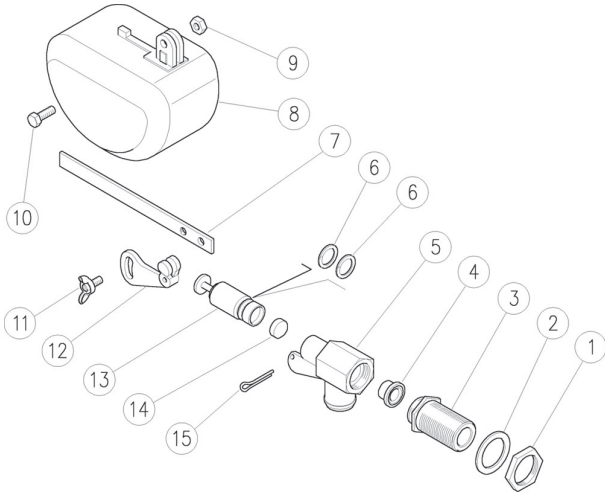
CARATTERISTICHE TECNICHE
TECHNICAL SPECIFICATIONS

- FUNZIONAMENTO WORKING	APERTURA E CHIUSURA CON COMANDO DIRETTO ON-OFF WITH DIRECT ACTION
- PRESSIONE MASSIMA MAX PRESSURE	6 bar - 0.6 MPa (85 psi)
- PORTATA A 1 bar - 0.1 MPa (14.5 psi) FLOW RATE AT 1 bar - 0.1 MPa (14.5 psi)	42 l/min (11.1 USG p.m.)
- PORTATA A 2 bar - 0.2 MPa (29 psi) FLOW RATE AT 2 bar - 0.2 MPa (29 psi)	60 l/min (16 USG p.m.)
- TEMPERATURA MASSIMA MAX WORKING TEMPERATURE	60° C (140° F)

MISURE D'INGOMBRO
OVERALL DIMENSIONS



29.0280.00 RG60 Float valve,brass,1/2M Bsp



29.0280.20 RG60 Float valve, brass 3/4M Bsp

Pos.	P/N	Description	Q.ty	K1	K2	K3	K4	
1	29.0175.31R	Nut, 1/2F Bsp brass (1)	1					10
1	29.0188.31R	Nut, 3/4F Bsp brass (2)	1					10
2	29.0177.81R	Front seal, 19x30x2 mm black (1)	1					10
2	29.0189.81R	Front seal, 26x36x2 mm NBR (2)	1					10
3	29.0283.31R	Coupling, M18x1M-1/2M Bsp brass (1)	1					10
3	29.0284.31R	Coupling, M18x1M-3/4M Bsp brass (2)	1					3
4	29.0282.84R	Seat -RG60, POM	1					10
5	29.0281.35R	Housing -RG60 brass	1					3
6	10.4021.00R	Back-up ring, opn. 11,5x15,9x1,2 mm	2					10
7	29.0287.34R	Rod -RG60, brass	1					5
8	29.0170.84R	Float valve, PE-HD	1					10
9	11.4520.00R	Hex. nut, M 5, brass	1					10
10	16.1870.00R	Screw, DIN933 M5x12 mm brass	1					10
11	12.0150.05R	Wing nut, M5x10 brass	1					10
12	29.0286.35R	Transmission plate, brass	1					3
13	29.0288.31R	Shutter pin, brass	1					10
14	29.0285.81R	Front seal, 12x4 mm NBR85	1					10
15	11.0549.01R	Cotter pin 3x20 mm	1					10

(1) 29.0280.00 (2) 29.0280.20